



TYPE
STX

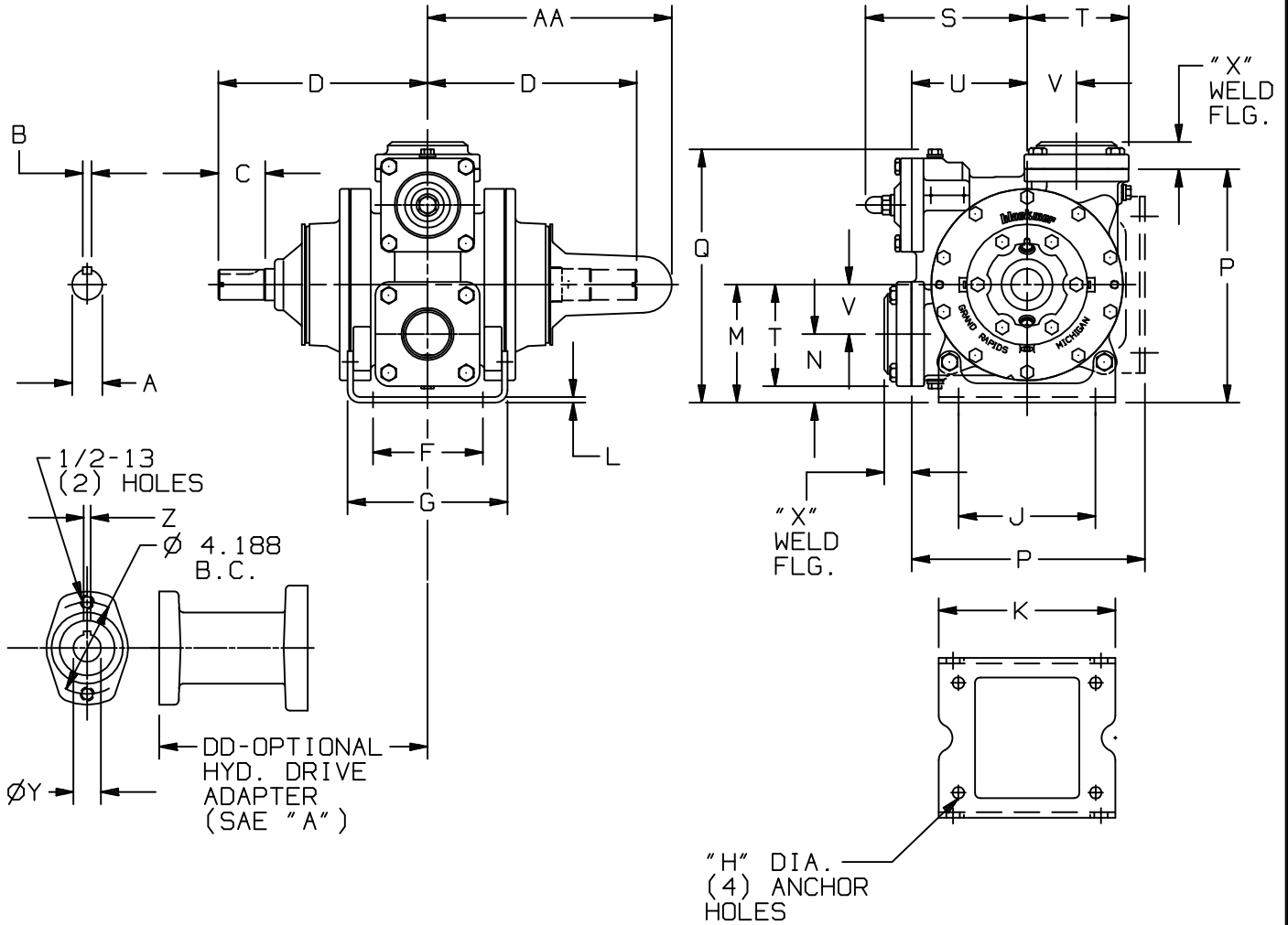
SIZE
3

UNIT
STYLE
PO

DIMENSIONS 203-101

Section 203
Effective October 2002
Replaces November 2001
Page 1/1

RIGHT HAND ROTATION. FOR LEFT HAND ROTATION SHAFT PROJECTION IS OPPOSITE THAT SHOWN.



MOTOR			UNITS	DIMENSIONS									
FRAME SIZE				A	B	C	D	E	F	G	H	J	K
			IN	1.375	.393	2.14	9.53	—	5.00	7.28	∅.53	6.25	8.04
			MM	35	10	54.4	241.9	—	127	184.9	13.5	158.8	204.2
				L	M	N	P	Q	R	S	T	U	V
			IN	.25	5.38	3.12	10.62	11.56	—	8.00	4.63	5.25	2.25
			MM	6.4	136.7	79.3	269.7	293.7	—	203.2	117.6	133.4	57.2
				W	X	Y	Z	AA	BB	CC	DD	EE	FF
			IN	—	1.25	1.25	.313	11.12	—	—	12.21	—	—
			MM	—	31.8	31.8	7.9	282.4	—	—	310.1	—	—
				WEIGHT									
			LBS	132									
			KG	60									