



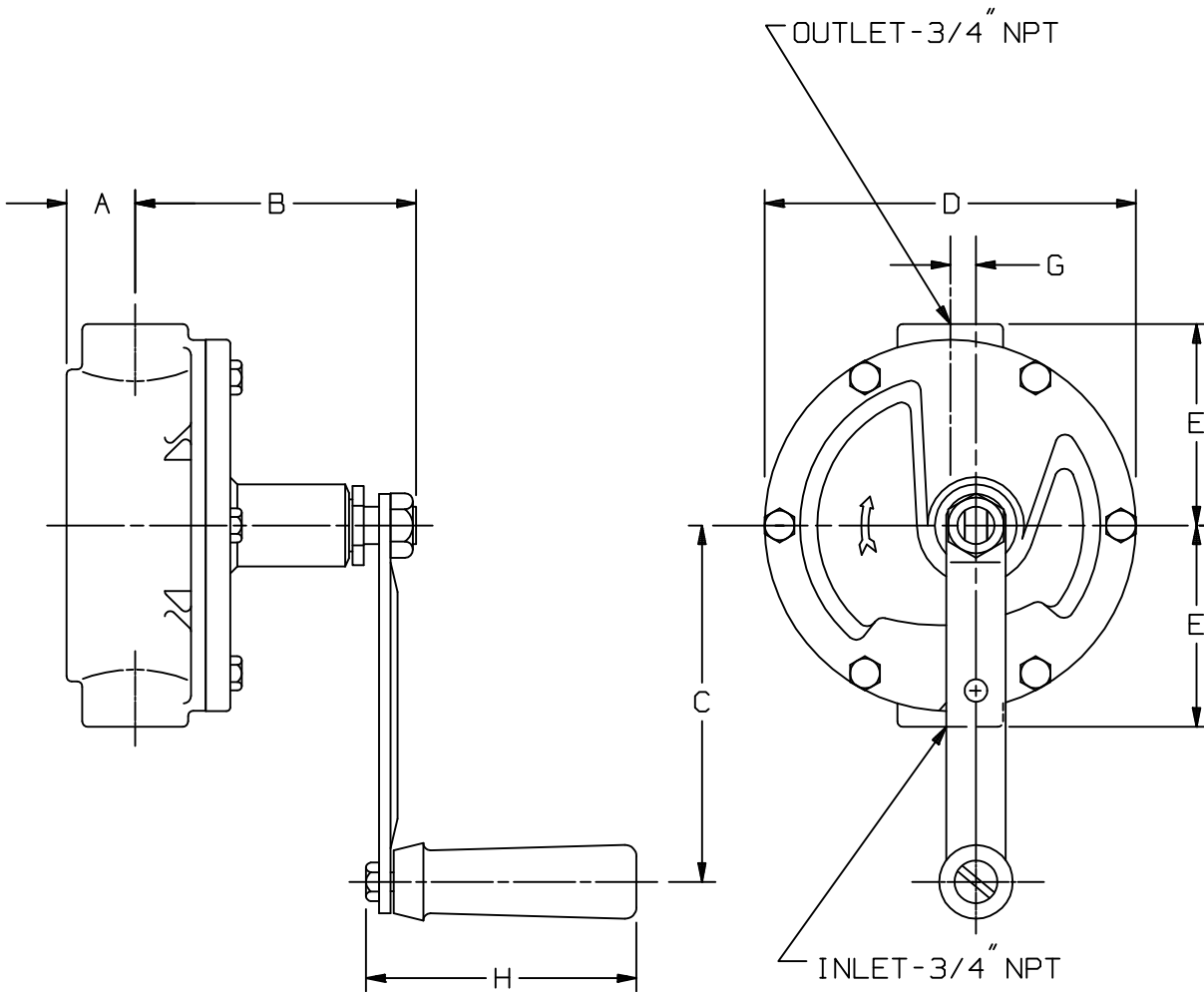
TYPE
210A
F210A

SIZE
.75

UNIT
STYLE
PA

DIMENSIONS 301-101
Section 301
Effective September 1989
Replaces New

RIGHT HAND ROTATION



MODEL	UNIT	A	B	C	D	E	G	H	APPROX. WT.	
									LBS.	KG
PA 210A & F210A	IN	1-3/16	5-5/16	6	6-1/4	3-1/2	1/2	4-3/8	12	6
	MM	30,2	135,0	152,4	158,8	88,9	12,7	111,1		