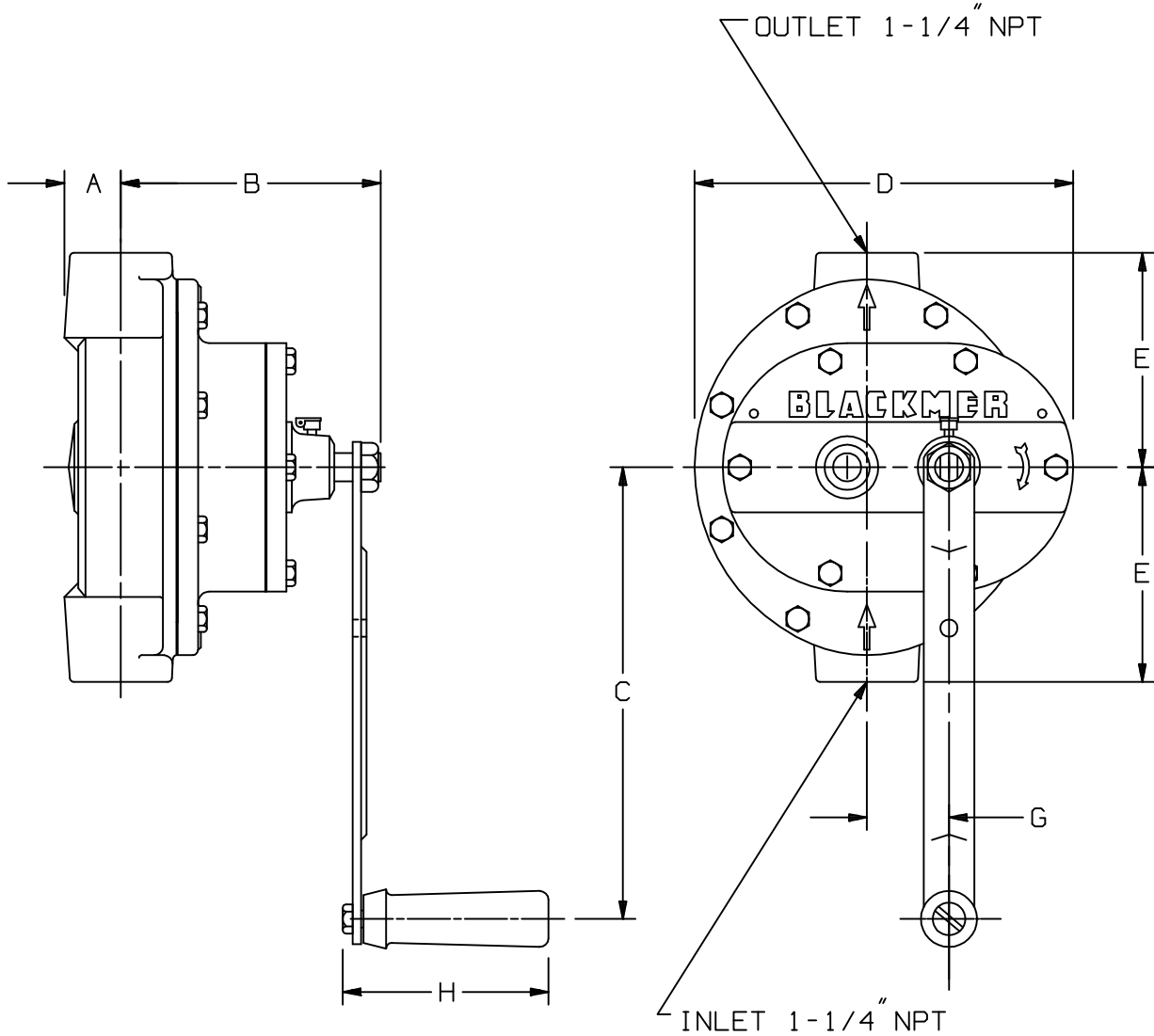




TYPE	SIZE	UNIT STYLE
807B 828B	1.25	PA

DIMENSIONS 301-103	
Section	301
Effective	September 1989
Replaces	New

RIGHT HAND ROTATION



MODEL	UNIT	A	B	C	D	E	G	H	APPROX. WT.	
									LBS.	KG
PA 807B & 828B	IN	1-1/4	5-3/4	10	8-3/8	4-3/4	1-7/8	4-3/8	29	14
	MM	31.7	146.0	254	212.7	120.6	47.6	111.1		