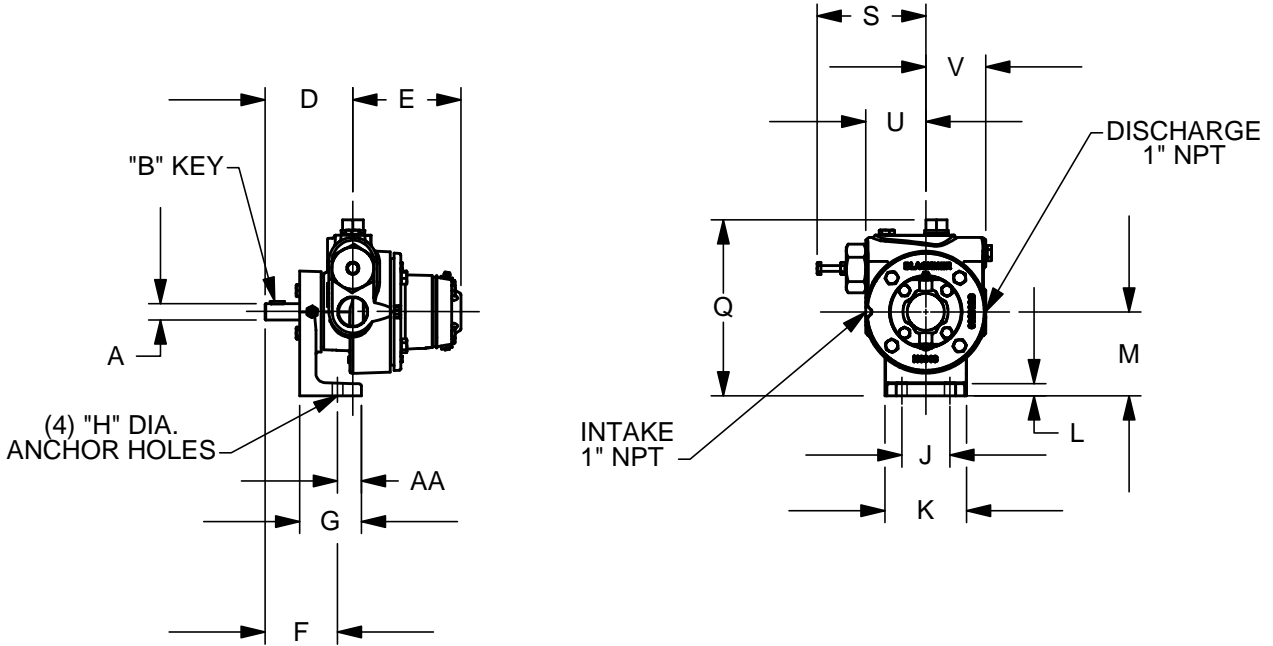




TYPE	SIZE	UNIT STYLE	DIMENSIONS 501-105	
	LGB	1E 1PE	PO	Section Effective Replaces Page 1 / 2   501 Aug 2007 Sept 2003



MOTOR			UNITS	DIMENSIONS									
FRAME SIZE				A	B	C	D	E	F	G	H	J	K
			IN	11/16	3/16	—	3 11/16	4 1/2	3	2 9/16	7/16	2	3 3/8
			MM	17,4	4,8	—	93,7	114,3	76,2	65,1	11,1	50,8	85,7
				L	M	N	P	Q	R	S	T	U	V
			IN	1/2	3 1/2	—	—	7 5/16	—	4 1/2	—	2 1/2	2 1/2
			MM	12,7	88,9	—	—	185,8	—	114,3	—	63,5	63,5
				W	X	Y	Z	AA	BB	CC	DD	EE	FF
			IN	—	—	—	—	1	—	—	—	—	—
			MM	—	—	—	—	25,4	—	—	—	—	—
RIGHT HAND ROTATION				PUMP WEIGHT									
			LBS	19									
			KGS	8,6									

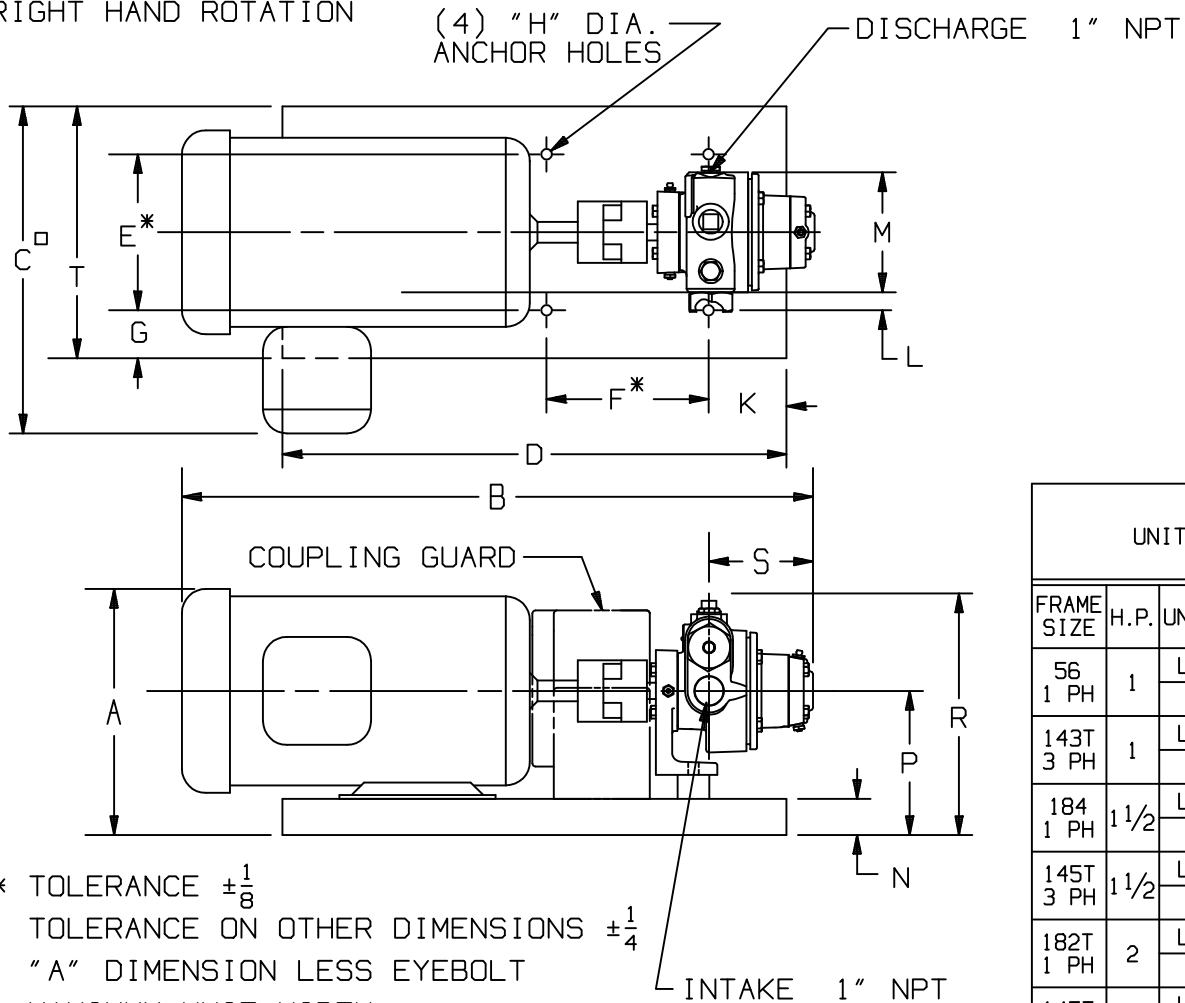


TYPE	SIZE	UNIT STYLE
LGB	1E	DM
	1PE	

**DIMENSIONS 501-105**

Section 501  
 Effective Aug 2007  
 Replaces Sept 2003  
 Page 2/2

RIGHT HAND ROTATION



UNIT WEIGHT				
FRAME SIZE	H.P.	UNITS	LESS MOTOR	WITH MOTOR
56 1 PH	1	LBS	43.4	94
		KG	19.7	42
143T 3 PH	1	LBS	42.9	63
		KG	19.5	38
184 1 PH	1 1/2	LBS	43.4	118
		KG	19.7	53
145T 3 PH	1 1/2	LBS	43.4	95
		KG	19.7	43
182T 1 PH	2	LBS	43.4	127
		KG	19.7	57
145T 3 PH	2	LBS	43.4	95
		KG	19.7	43

\* TOLERANCE  $\pm \frac{1}{8}$   
 TOLERANCE ON OTHER DIMENSIONS  $\pm \frac{1}{4}$   
 "A" DIMENSION LESS EYEBOLT  
 □ MAXIMUM UNIT WIDTH

MOTOR EXPLOSION PROOF 1800 RPM 60 HZ				DIMENSIONS																
FRAME SIZE	H.P.	BASE NO.	UNITS	A	B	C	D	E	F	G	H	K	L	M	N	P	R	S	T	
56 1 PH	1	901978	IN	9	24 3/4	12 3/4	21	6 1/2	6 3/4	2	7/16	3 1/4	3/4	5	1 1/2	5	9 1/4	4 3/8	10 1/2	
			MM	228.6	628.7	323.9	533.4	165.1	171.5	50.8	11.1	82.6	19.1	127	38.1	127	234.9	111.1	266.7	
143T 3 PH	1	901978	IN	9	23 5/8	12 3/4	21	6 1/2	6 3/4	2	7/16	3 1/4	3/4	5	1 1/2	5	9 1/4	4 3/8	10 1/2	
			MM	228.6	600.1	323.9	533.4	165.1	171.5	50.8	11.1	82.6	19.1	127	38.1	127	234.9	111.1	266.7	
184 1 PH	1 1/2	901978	IN	10 3/4	26 7/8	13 1/4	21	6 1/2	6 3/4	2	7/16	3 1/4	3/4	5	1 1/2	6	10 1/4	4 3/8	10 1/2	
			MM	273.1	682.6	336.6	533.4	165.1	171.5	50.8	11.1	82.6	19.1	127	38.1	152.4	260.3	111.1	266.7	
145T 3 PH	1 1/2	901978	IN	9	24 1/2	12 3/4	21	6 1/2	6 3/4	2	7/16	3 1/4	3/4	5	1 1/2	5	9 1/4	4 3/8	10 1/2	
			MM	228.6	622.3	323.9	533.4	165.1	171.5	50.8	11.1	82.6	19.1	127	38.1	127	234.9	111.1	266.7	
182T 1 PH	2	901978	IN	10 3/4	26 7/8	13 1/4	21	6 1/2	6 3/4	2	7/16	3 1/4	3/4	5	1 1/2	6	10 1/4	4 3/8	10 1/2	
			MM	273.1	682.6	336.6	533.4	165.1	171.5	50.8	11.1	82.6	19.1	127	38.1	152.4	260.3	111.1	266.7	
145T 3 PH	2	901978	IN	9	24 1/2	12 3/4	21	6 1/2	6 3/4	2	7/16	3 1/4	3/4	5	1 1/2	5	9 1/4	4 3/8	10 1/2	
			MM	228.6	622.3	323.9	533.4	165.1	171.5	50.8	11.1	82.6	19.1	127	38.1	127	234.9	111.1	266.7	