

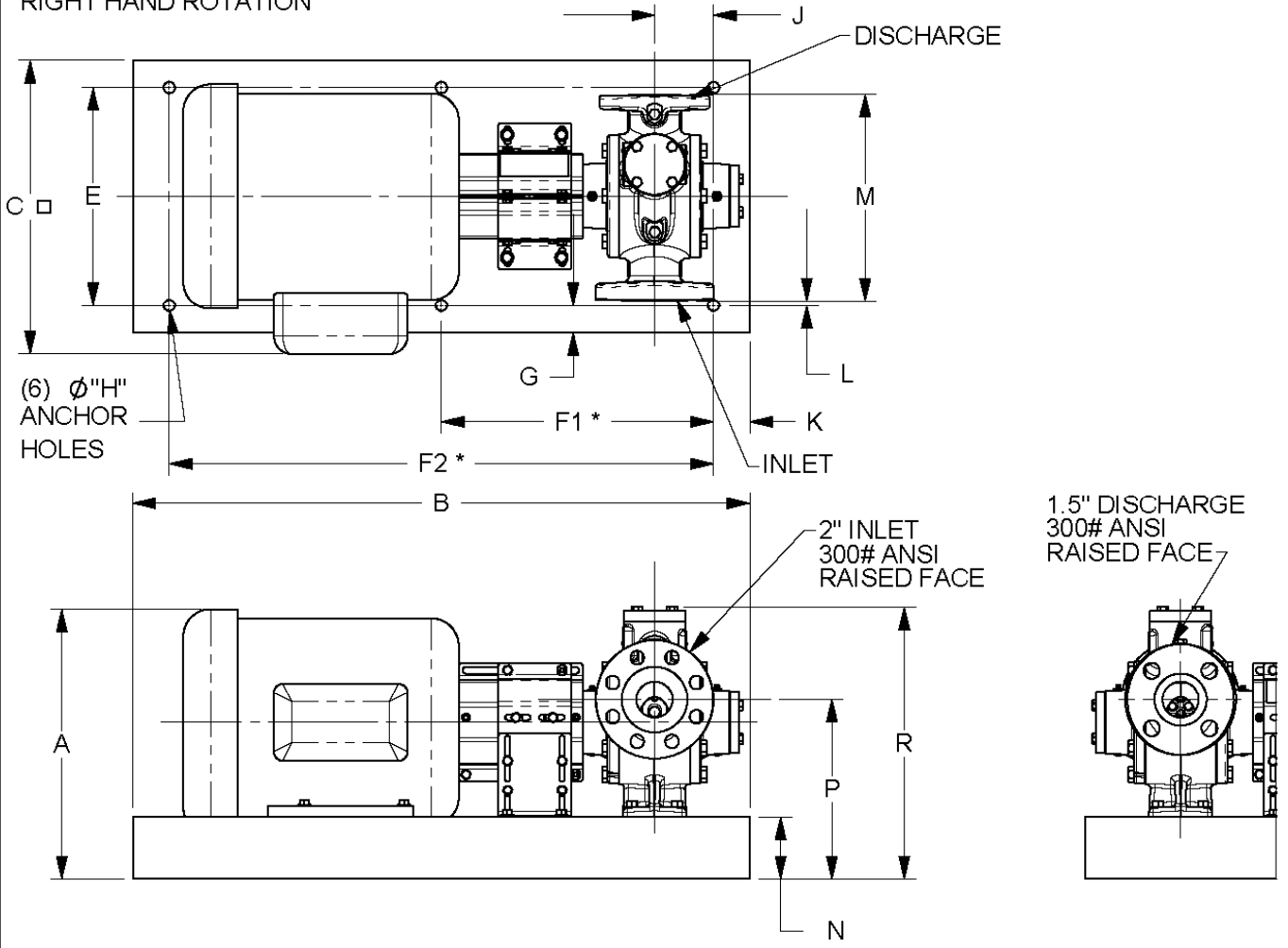




TYPE	SIZE	UNIT STYLE
LGL	158	DM

DIMENSIONS 501-121	
Section Effective	501 Aug 2007
Replaces	April 2005
Page	2 / 3

RIGHT HAND ROTATION



\* TOLERANCE  $\pm 1/8"$   
 TOLERANCE ON ALL OTHER DIMENSIONS  $\pm 1/4"$   
 □ MAX WIDTH

MOTOR			UNITS	DIMENSIONS									
FRAME SIZE	BASE			A	B	C	E	F1	F2	G	H	J	K
213T	901867		IN	14 7/8	34	16 1/4	12	15	30	1 1/2	5/8	3 1/4	2
215T	901867		MM	378	889	413	305	381	762	38,1	15,9	82,6	50,8
				L	M	N	P	Q	R	S	T	U	V
			IN	1/4	11 3/8	3 3/8	9 7/8	-	15				
			MM	6,4	289	85,7	251	-	381				
				W	X	Y	Z	AA	BB	CC	DD	EE	FF
			IN										
			MM										
				UNIT WEIGHT		WITH MOTOR							
				LBS		340							
				KG		154							

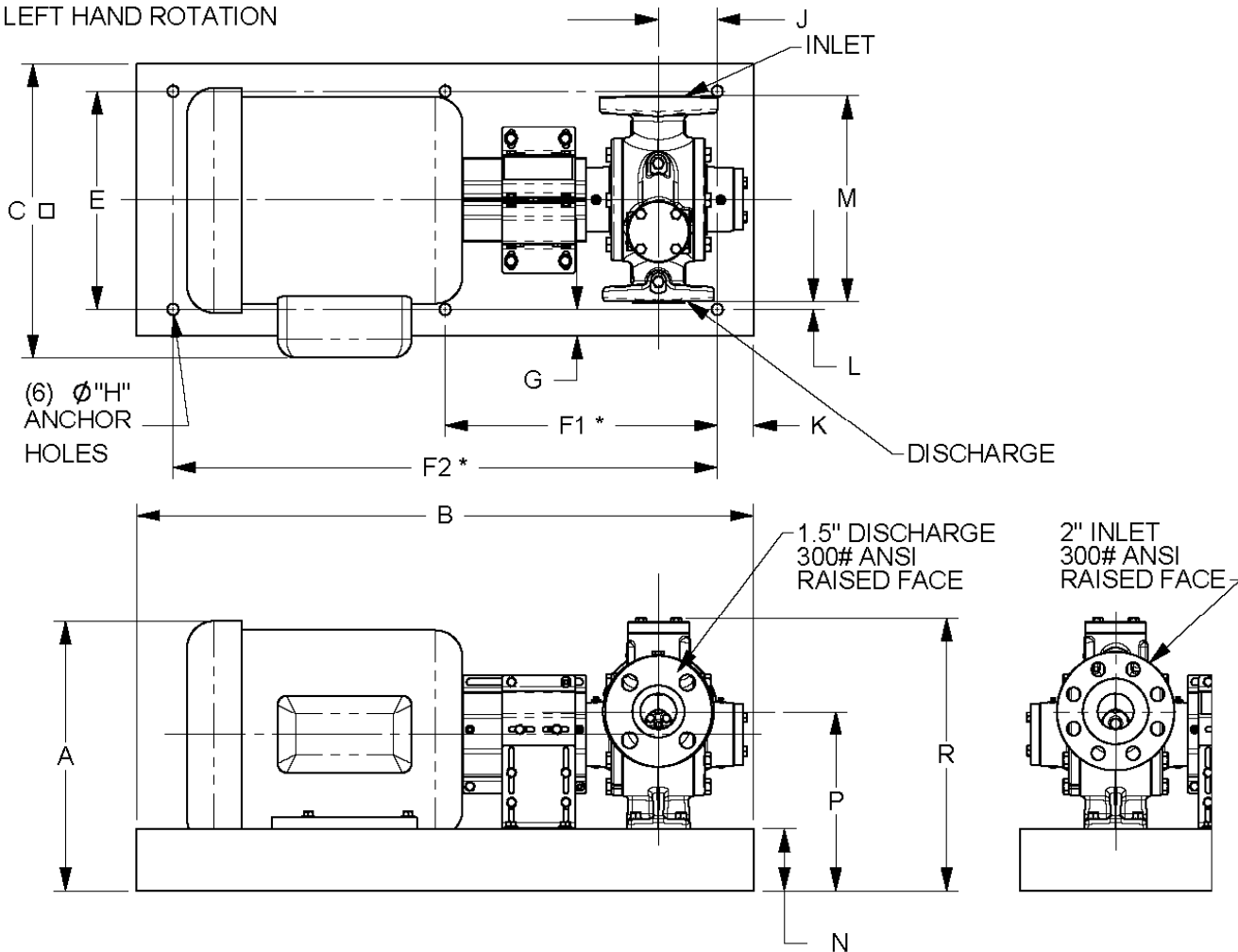


TYPE	SIZE	UNIT STYLE
LGL	158	DM

DIMENSIONS 501-121

Section 501  
Effective Aug 2007  
Replaces April 2005  
Page 3 / 3

LEFT HAND ROTATION



\* TOLERANCE  $\pm 1/8"$   
TOLERANCE ON ALL OTHER DIMENSIONS  $\pm 1/4"$   
□ MAX WIDTH

MOTOR			UNITS	DIMENSIONS									
FRAME SIZE	BASE			A	B	C	E	F1	F2	G	H	J	K
213T	901867		IN	14 7/8	34	16 1/4	12	15	30	1 1/2	5/8	3 1/4	2
215T	901867		MM	378	889	413	305	381	762	38,1	15,9	82,6	50,8
				L	M	N	P	Q	R	S	T	U	V
			IN	3/8	11 3/8	3 3/8	9 7/8	-	15				
			MM	9,5	289	85,7	251	-	381				
				W	X	Y	Z	AA	BB	CC	DD	EE	FF
			IN										
			MM										
				UNIT WEIGHT		WITH MOTOR							
				LBS		340							
				KG		154							