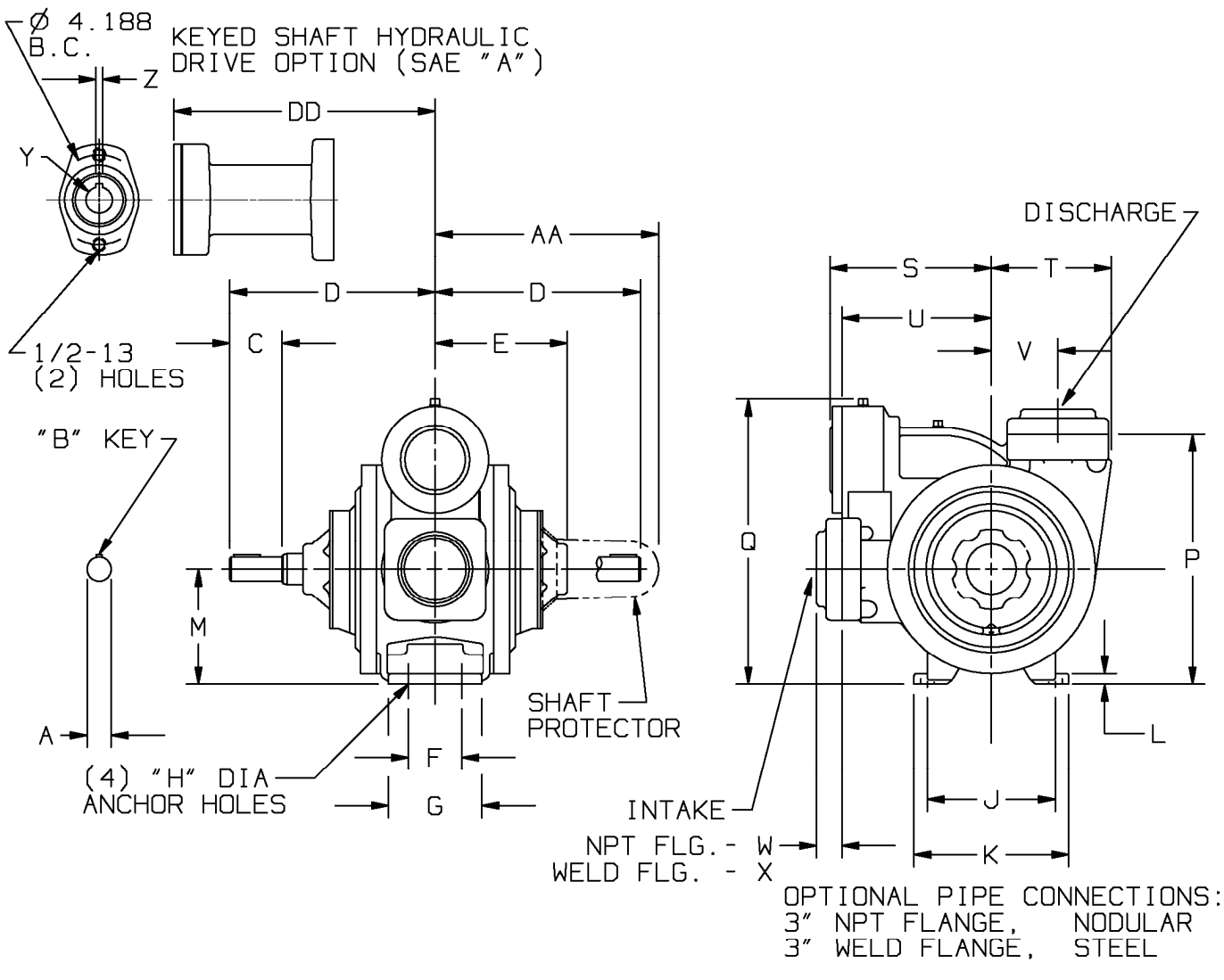




TYPE	SIZE	UNIT STYLE
LGL	3E	PO
LGLD		

DIMENSIONS 501-113	
Section	501
Effective	August 2007
Replaces	August 2002
Page 1/4	

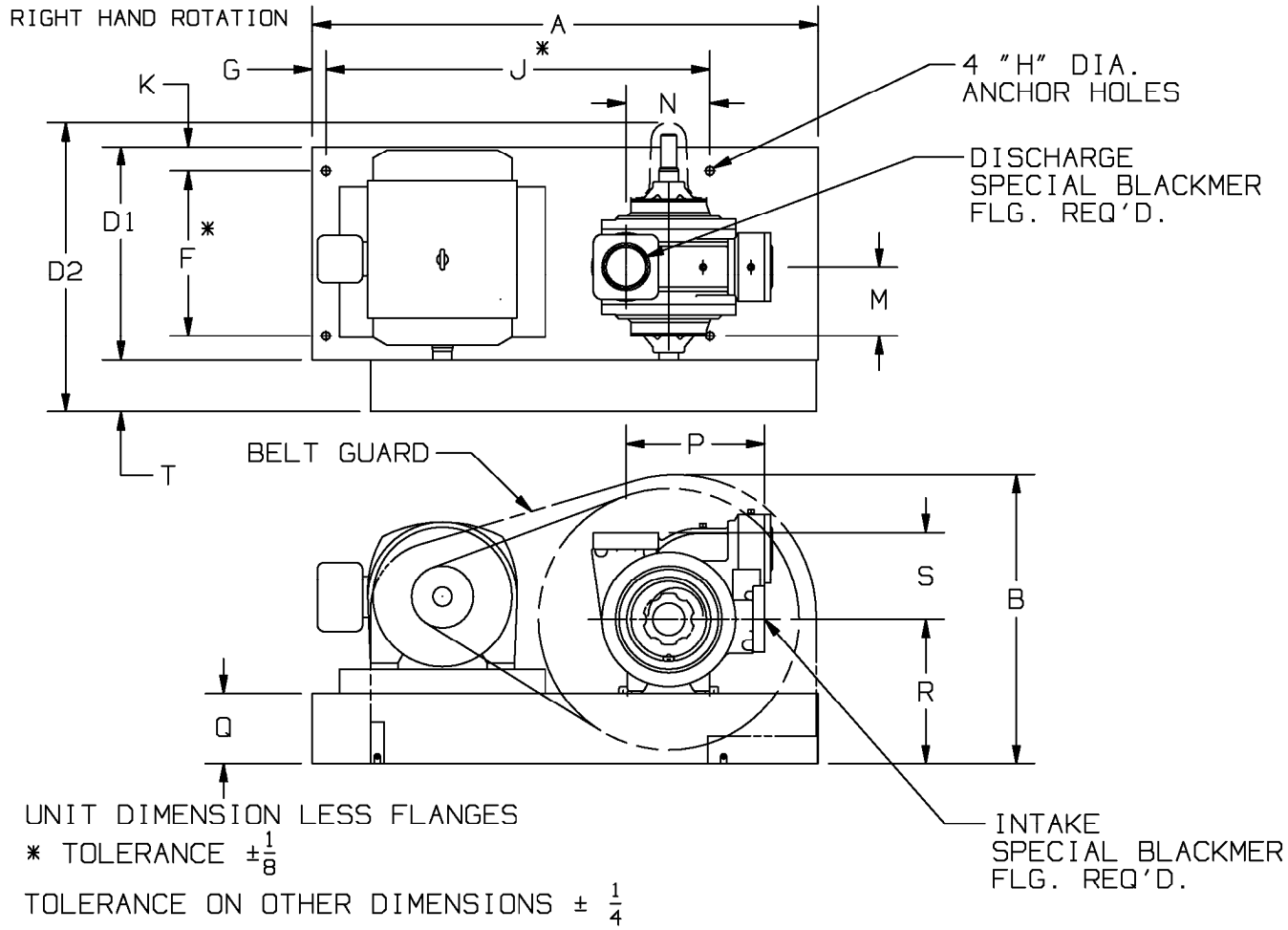


MOTOR			UNITS	DIMENSIONS									
FRAME SIZE				A	B	C	D	E	F	G	H	J	K
			IN	1 1/8	1/4	2 7/16	9 5/8	6 5/16	2 1/2	4 3/8	5/8	6	7 1/4
			MM	28,6	6,4	61,9	244,5	160,3	63,5	111,1	15,9	152,4	184,2
				L	M	N	P	Q	R	S	T	U	V
			IN	1/2	5 3/8	—	11 11/16	13 3/8	—	7 5/8	5 5/8	7	3 1/8
			MM	12,7	136,5	—	269,9	339,7	—	193,7	142,9	177,8	79,4
				w	x	y	z	AA	BB	CC	DD	EE	FF
			IN	1 1/2	1 3/16	1 1/4	5/16	10 3/4	—	—	12 1/4	—	—
			MM	38,1	30,2	31,8	7,9	282,6	—	—	311,2	—	—
				WEIGHT									
			LBS	160									
			KG	72,6									



TYPE	SIZE	UNIT STYLE
LGL	3	VB

DIMENSIONS 501-113	
Section	501
Effective	August 2007
Replaces	August 2002
Page 2/4	



MOTOR			H.P.		UNIT NO.	DIMENSIONS																	
1800	1200	FRAME SIZE	1800	1200		UNIT	A	B	D	D1	D2	F	G	H	J	K	M	N	P	Q	R	S	T
330	220	184T	5	2	875115	IN.	36 <sup>7</sup> / <sub>8</sub>	21 <sup>1</sup> / <sub>2</sub>	19 <sup>3</sup> / <sub>4</sub>	15 <sup>1</sup> / <sub>2</sub>	21	12	1	5/8	28	1 <sup>3</sup> / <sub>4</sub>	5	6 <sup>1</sup> / <sub>8</sub>	10 <sup>1</sup> / <sub>8</sub>	5 <sup>1</sup> / <sub>8</sub>	10 <sup>1</sup> / <sub>2</sub>	6 <sup>3</sup> / <sub>8</sub>	3 <sup>7</sup> / <sub>8</sub>
						MM	937	546	502	394	533	305	25	16	711	44	127	155	257	130	267	162	99
420	280	213T	7.5	3	875116	IN.		21 <sup>1</sup> / <sub>8</sub>															
						MM		536															
420	280	215T	10	5	875186	IN.		22															
						MM		559															
520	340	213T	7.5	3	875119	IN.		21 <sup>1</sup> / <sub>8</sub>															
						MM		536															
520	340	215T	10	5	875117	IN.		22															
						MM		559															
640	420	215T	10	5	875118	IN.		22															
						MM		559															
640	420	254T	15	7.5	875188	IN.		25 <sup>1</sup> / <sub>4</sub>															
						MM		641															
780	520	215T	10	5	875187	IN.		22															
						MM		559															
980	650	254T	15	7.5	875189	IN.		25 <sup>1</sup> / <sub>2</sub>															
						MM		648															

SAME AS ABOVE



TYPE

SIZE

UNIT  
STYLE

DIMENSIONS 501-113

LGL

3E

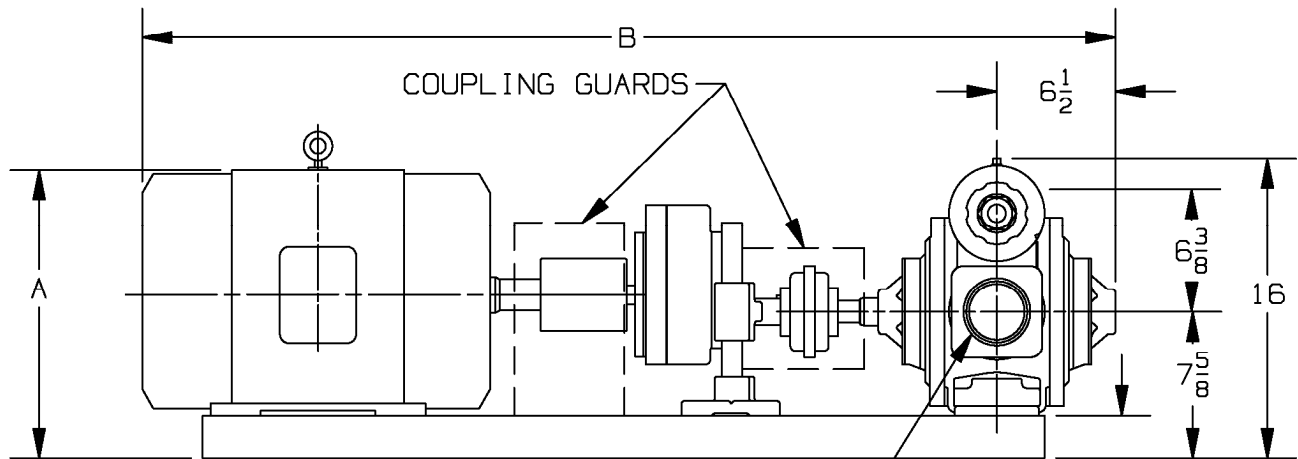
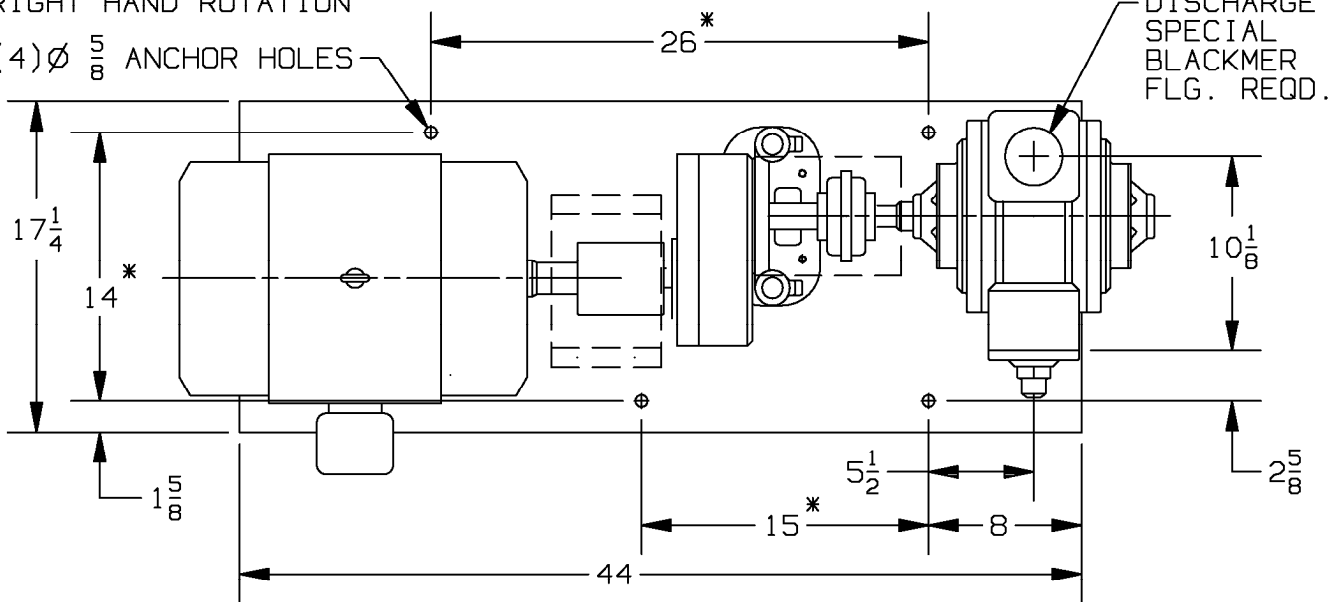
HRA

Section 501  
Effective August 2007  
Replaces August 2002  
Page 3/4

RIGHT HAND ROTATION

(4)  $\varnothing \frac{5}{8}$  ANCHOR HOLES

DISCHARGE  
SPECIAL  
BLACKMER  
FLG. REQD.



UNIT DIMENSION LESS FLANGES

\* TOLERANCE  $\pm \frac{1}{8}$

TOLERANCE ON OTHER DIMENSIONS  $\pm \frac{1}{4}$

"A" DIMENSION LESS EYEBOLT

FLG. HT: 3" NPT - 1 1/2  
3" WELD- 1 1/4

MOTOR			BASE NO.	DIMENSIONS		
FRAME SIZE		UNITS		A	B	
182T		901774	IN	11 7/8	48 3/4	
184T		901774	IN	11 7/8	48 3/4	
213T		901774	IN	13 3/8	48 3/4	
215T		901774	IN	13 3/8	49 3/8	
254T		901774	IN	15 5/8	53 1/4	
256T		901774	IN	15 5/8	55	



TYPE

SIZE

UNIT  
STYLE

LGL

3E

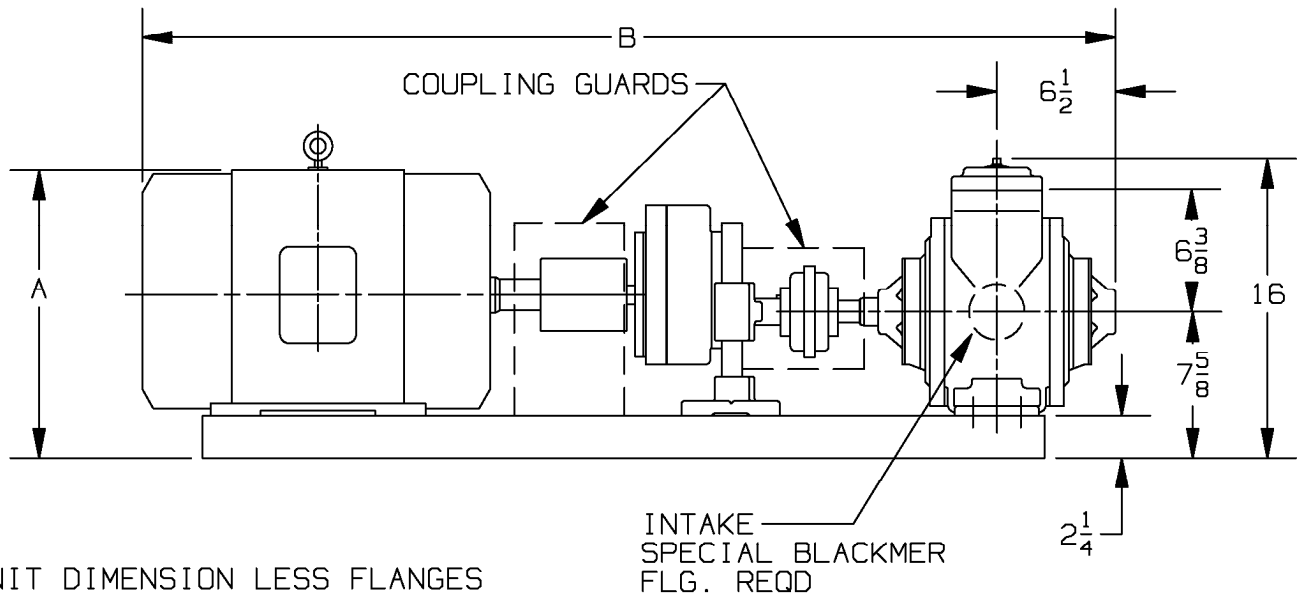
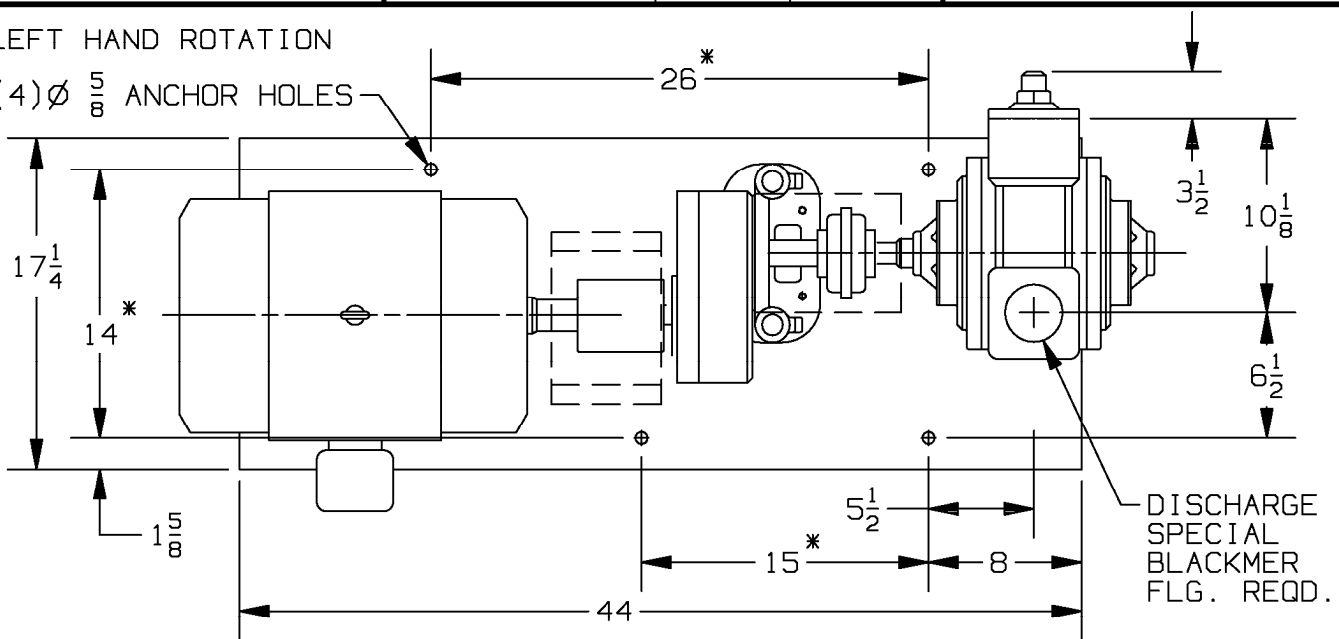
HRA

DIMENSIONS 501-113

Section 501  
Effective August 2007  
Replaces August 2002  
Page 4/4

LEFT HAND ROTATION

(4)  $\varnothing \frac{5}{8}$  ANCHOR HOLES



UNIT DIMENSION LESS FLANGES

\* TOLERANCE  $\pm \frac{1}{8}$

TOLERANCE ON OTHER DIMENSIONS  $\pm \frac{1}{4}$

"A" DIMENSION LESS EYEBOLT

FLG. HT: 3" NPT - 1 1/2  
3" WELD- 1 1/4

MOTOR			BASE NO.	DIMENSIONS		
FRAME SIZE		UNITS		A	B	
182T		901774	IN	11 7/8	48 3/4	
184T		901774	IN	11 7/8	48 3/4	
213T		901774	IN	13 3/8	48 3/4	
215T		901774	IN	13 3/8	49 3/8	
254T		901774	IN	15 5/8	53 1/4	
256T		901774	IN	15 5/8	55	