

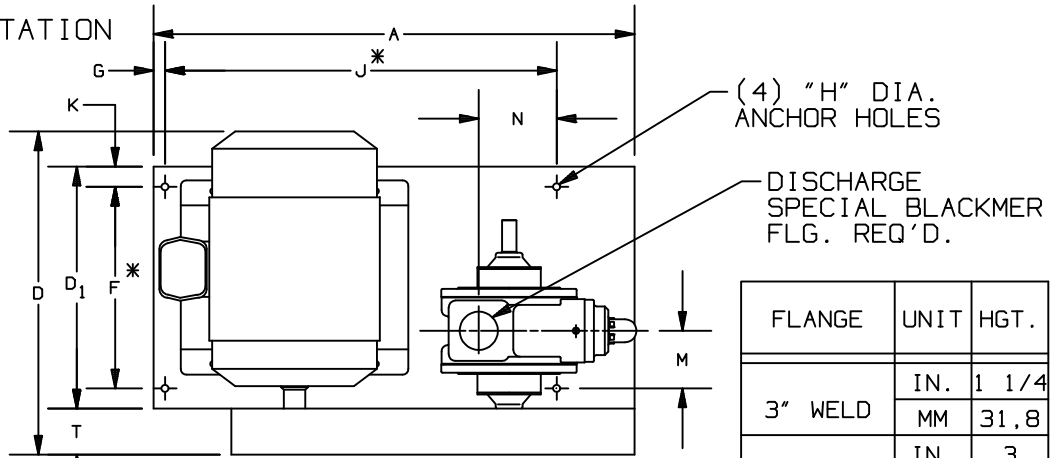




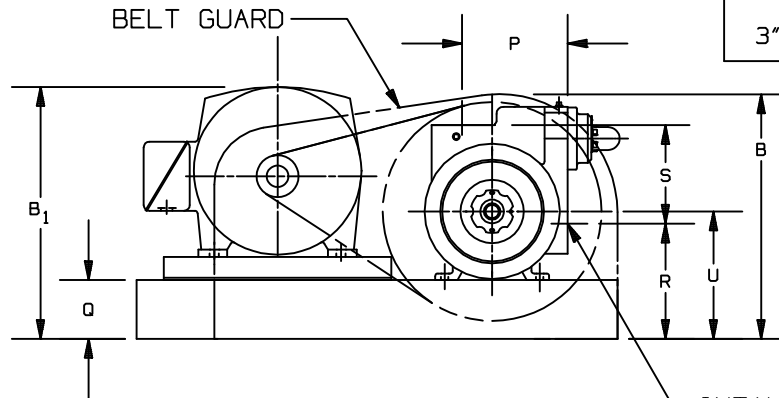
TYPE	SIZE	UNIT STYLE
LGL	4A	VB

**DIMENSIONS 501-117**  
 Section 501  
 Effective Aug 2007  
 Replaces JAN 2002  
 Page 2 / 4

RIGHT HAND ROTATION



FLANGE	UNIT	HGT.
3" WELD	IN.	1 1/4
	MM	31,8
4" WELD	IN.	3
	MM	76,2
3" NPT	IN.	1 1/2
	MM	38,1



UNIT DIMENSIONS LESS FLANGES

\* TOLERANCE ±1/8

TOLERANCE ON OTHER DIMENSIONS ±1/4

SPEED		H. P.		UNITS NO.	DIMENSIONS																				
1800	1200	FRAME SIZE	1800		1200	UNIT	A	B	B <sub>1</sub>	D	D <sub>1</sub>	F	G	H	J	K	M	N	P	Q	R	S	T	U	
330	220	213T	7.5	3	872020	IN	41 <sup>3</sup> / <sub>4</sub>	21 <sup>1</sup> / <sub>4</sub>	—	25 <sup>5</sup> / <sub>8</sub>	21	17 <sup>1</sup> / <sub>2</sub>	1	5 <sup>5</sup> / <sub>8</sub>	34	1 <sup>3</sup> / <sub>4</sub>	5	6 <sup>3</sup> / <sub>4</sub>	9 <sup>3</sup> / <sub>16</sub>	5 <sup>1</sup> / <sub>8</sub>	10	8 <sup>9</sup> / <sub>16</sub>	4 <sup>1</sup> / <sub>8</sub>	11 <sup>1</sup> / <sub>16</sub>	
						MM	1060,5	539,8	—	650,9	533,4	444,5	25,4	15,9	863,6	44,5	127	171,5	233,4	130	254	190,5	104,8	281	
330	220	215T	10	5	872021	IN			—	25 <sup>5</sup> / <sub>8</sub>															
						MM			—	650,9															
420	280	215T	10	5	872013	IN			—	25 <sup>5</sup> / <sub>8</sub>															
						MM			—	650,9															
420	280	254T	15	7.5	872015	IN			—	25 <sup>5</sup> / <sub>8</sub>															
						MM			—	650,9															
520	340	254T	15	7.5	872018	IN			—	25 <sup>5</sup> / <sub>8</sub>															
						MM			—	650,9															
520	340	256T	20	10	872016	IN			—	25 <sup>5</sup> / <sub>8</sub>															
						MM			—	650,9															
640	420	254T	15	7.5	872014	IN			—	25 <sup>5</sup> / <sub>8</sub>															
						MM			—	650,9															
640	420	284T	25	15	872017	IN			21 <sup>1</sup> / <sub>16</sub>	28 <sup>9</sup> / <sub>16</sub>															
						MM			550,9	725,5															

SAME AS ABOVE

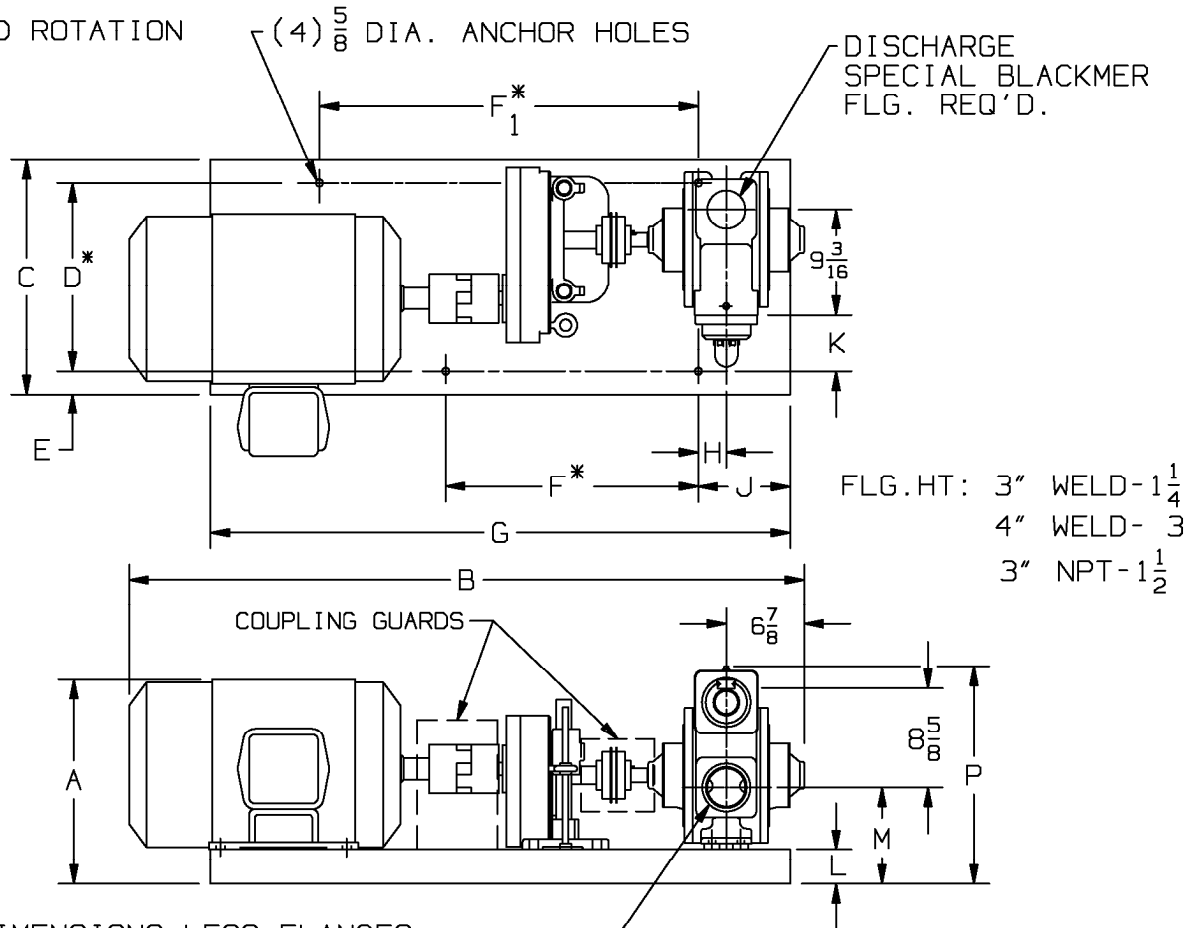


TYPE	SIZE	UNIT STYLE
LGL	4A	HRB

**DIMENSIONS 501-117**

Section 501  
 Effective AUG 2007  
 Replaces AUG 2002  
 Page 3/4

RIGHT HAND ROTATION



FLG. HT: 3" WELD-1 1/4  
 4" WELD- 3  
 3" NPT-1 1/2

UNIT DIMENSIONS LESS FLANGES  
 \* TOLERANCE ±1/8  
 TOLERANCE ON OTHER DIMENSIONS ±1/4  
 "A" DIMENSION LESS EYEBOLT

FRAME SIZE	BASE NO.	DIMENSIONS													
		A	B	C	D	E	F	F <sub>1</sub>	G	H	J	K	L	M	P
182T	901315	12 7/8	49 1/8	17 1/4	14	1 5/8	15	26	44	5 1/2	8	3 1/8	2 1/4	7 5/8	18 5/8
184T	901315	12 7/8	49 1/8	17 1/4	14	1 5/8	15	26	44	5 1/2	8	3 1/8	2 1/4	7 5/8	18 5/8
213T	901320	14 3/8	49 7/8	17 1/4	14	1 5/8	15	26	44	5 1/2	8	3 1/8	2 1/4	7 5/8	18 5/8
215T	901320	14 3/8	50 5/8	17 1/4	14	1 5/8	15	26	44	5 1/2	8	3 1/8	2 1/4	7 5/8	18 5/8
254T	901773	16 3/8	54 3/8	20 3/8	16 3/8	2	22	33	50 1/2	2 1/2	8	4 7/8	3	8 1/4	19 3/8
256T	901773	16 3/8	56 1/8	20 3/8	16 3/8	2	22	33	50 1/2	2 1/2	8	4 7/8	3	8 1/4	19 3/8
284T	901773	18	58 1/8	20 3/8	16 3/8	2	22	33	50 1/2	2 1/2	8	4 7/8	3	8 3/8	19 3/8
286T	901773	18	59 5/8	20 3/8	16 3/8	2	22	33	50 1/2	2 1/2	8	4 7/8	3	8 3/8	19 3/8

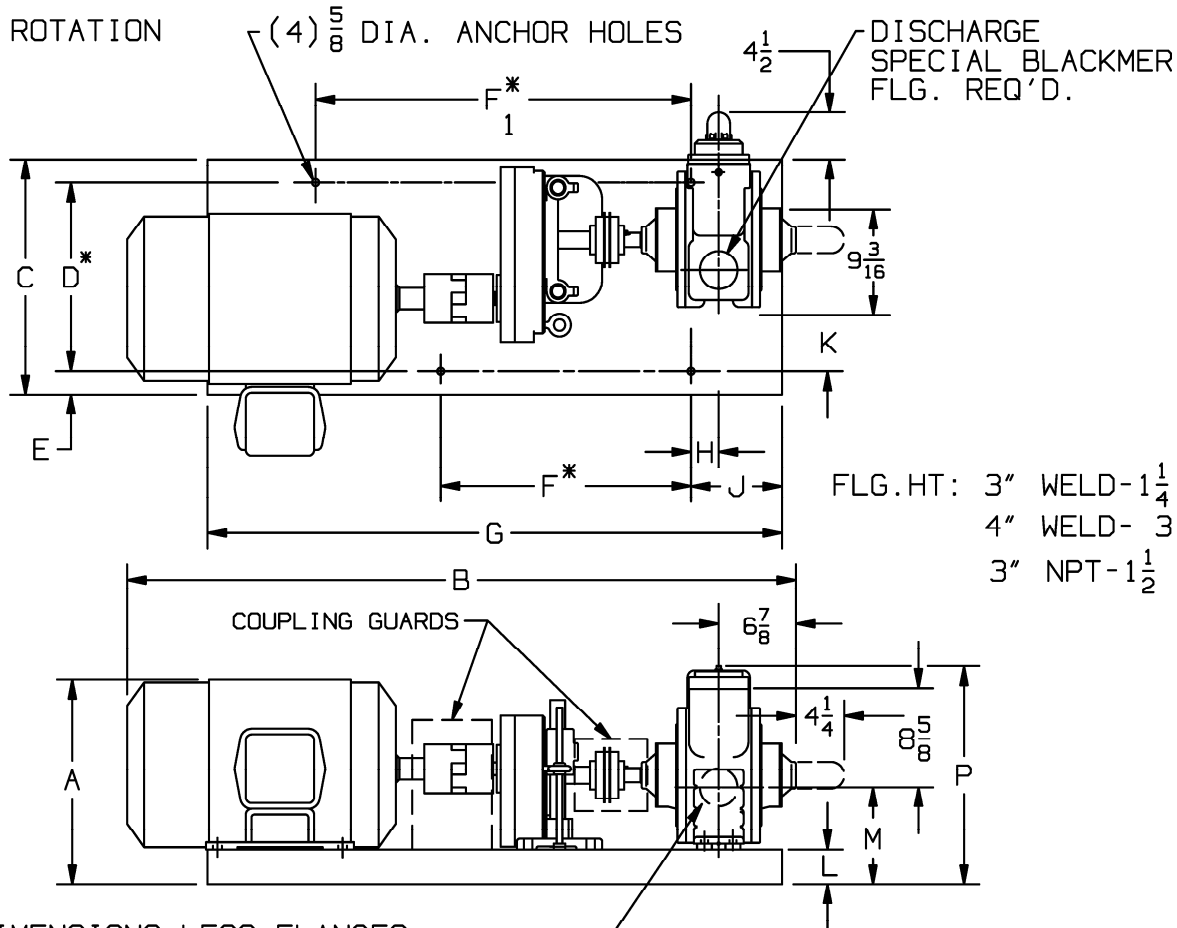


TYPE	SIZE	UNIT STYLE
LGL(D)	4A	HRB

DIMENSIONS 501-117

Section 501  
 Effective AUG 2007  
 Replaces AUG 2002  
 Page 4/4

LEFT HAND ROTATION



FLG. HT: 3" WELD-1 1/4  
 4" WELD- 3  
 3" NPT-1 1/2

UNIT DIMENSIONS LESS FLANGES  
 \* TOLERANCE ±1/8  
 TOLERANCE ON OTHER DIMENSIONS ±1/4  
 "A" DIMENSION LESS EYEBOLT

FRAME SIZE	BASE NO.	DIMENSIONS														
		A	B	C	D	E	F	F <sub>1</sub>	G	H	J	K	L	M	P	
182T	901315	12 7/8	49 1/8	17 1/4	14	1 5/8	15	26	44	5 1/2	8	7	2 1/4	7 5/8	18 5/8	
184T	901315	12 7/8	49 1/8	17 1/4	14	1 5/8	15	26	44	5 1/2	8	7	2 1/4	7 5/8	18 5/8	
213T	901320	14 3/8	49 7/8	17 1/4	14	1 5/8	15	26	44	5 1/2	8	7	2 1/4	7 5/8	18 5/8	
215T	901320	14 3/8	50 5/8	17 1/4	14	1 5/8	15	26	44	5 1/2	8	7	2 1/4	7 5/8	18 5/8	
254T	901773	16 3/8	54 3/8	20 3/8	16 3/8	2	22	33	50 1/2	2 1/2	8	8 7/8	3	8 1/4	19 3/8	
256T	901773	16 3/8	56 1/8	20 3/8	16 3/8	2	22	33	50 1/2	2 1/2	8	8 7/8	3	8 1/4	19 3/8	
284T	901773	18	58 1/8	20 3/8	16 3/8	2	22	33	50 1/2	2 1/2	8	8 7/8	3	8 3/8	19 3/8	
286T	901773	18	59 5/8	20 3/8	16 3/8	2	22	33	50 1/2	2 1/2	8	8 7/8	3	8 3/8	19 3/8	