

# BLACKMER PARTS LIST

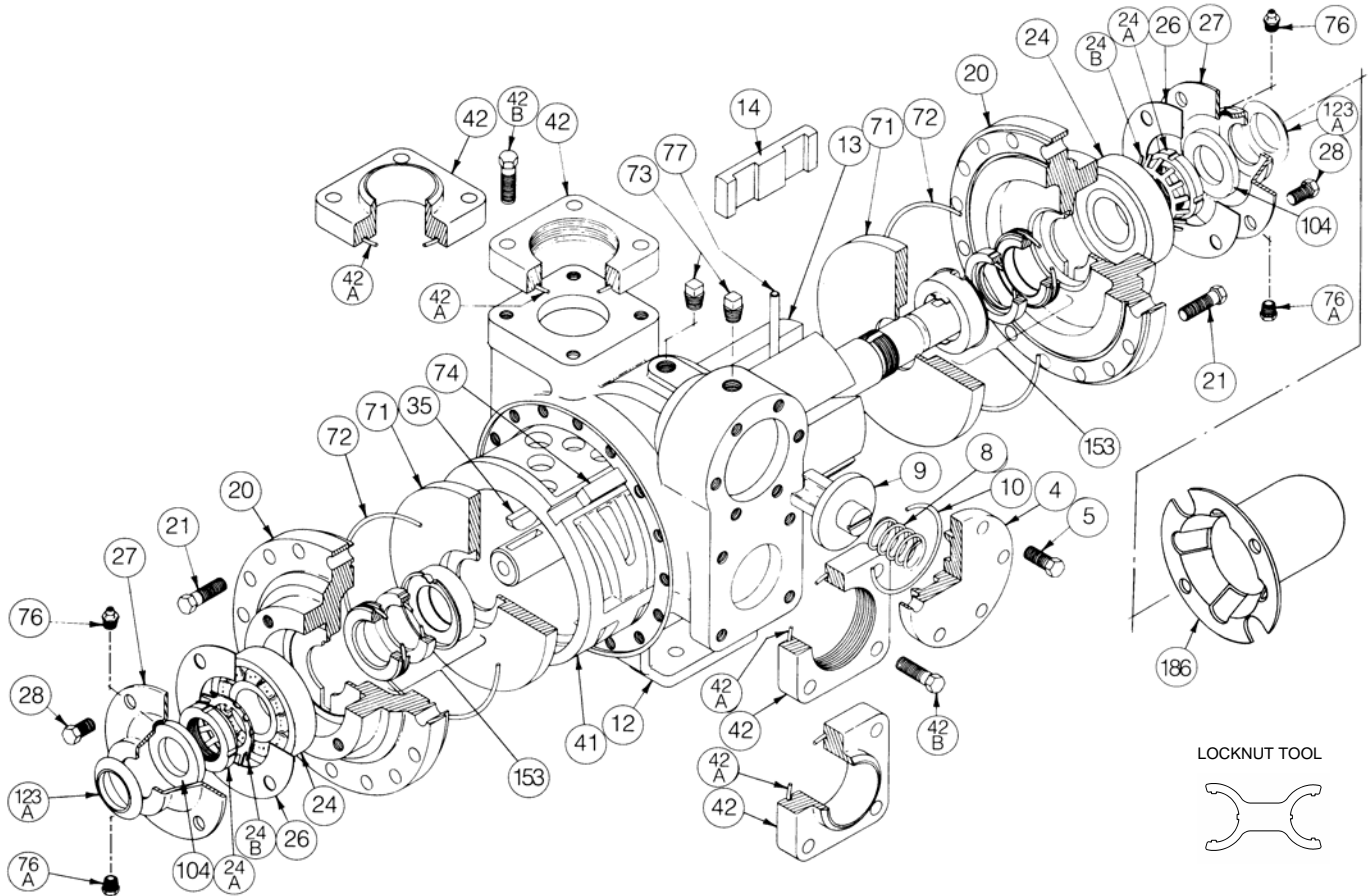
## PUMP MODELS: LGLH2A

960420  
Page 1 of 2

**PARTS LIST**  
**501-J01**

(See Instructions 501-J00 for Installation, Operation and Maintenance)

Section 501  
Effective Aug 2006  
Replaces June 2005



Ref. No.	Description	Parts Per Pump	Part No.	Ref. No.	Description	Parts Per Pump	Part No.
4	Cover - Relief Valve (R/V)	1	414401	42	Flange - NPT	2	654401
5	Capscrews - R/V Cover	6	920331		Flange - Weld		654405
8	Spring - R/V (190 psi)	1	471621	42A	O-Ring - Flange	2	<sup>1</sup> 702004
9	Valve - R/V	1	454405	42B	Capscrew - NPT Flange	8	920384
10	O-Ring - R/V Cover	1	<sup>1</sup> 701919		Capscrew - Weld Flange		920351
12	Casing	1	014405	71	Disc	2	<sup>1</sup> 064412
13	Rotor & Shaft Asy. (Includes Ref. Nos. 24A & 24B)	1	<sup>2</sup> 264445	72	O-Ring - Head	2	<sup>1</sup> 702022
14	Vane - Duravane (Std.)	6	<sup>1</sup> 091419	73	Gage Plug	2	908198
20	Head	2	034416	74	Key - Liner	1	<sup>2</sup> 183991
21	Capscrews - Head	32	920351	76	Grease Fitting	2	317815
24	Spherical Roller Bearing	2	<sup>1</sup> 903191	76A	Grease Relief Fitting	2	701992
24A	Locknut - Bearing	2	<sup>2</sup> 903521	77	Push Rod	3	<sup>1</sup> 123905
24B	Lockwasher - Bearing	2	<sup>1</sup> 903522	104	Grease Seal	2	<sup>1</sup> 331918
26	Gasket - Bearing Cover	2	<sup>1</sup> 383940	123A	Dirt Shield	2	<sup>1</sup> 701480
27	Bearing Cover	2	041431	186	Shaft Protector	1	341601
28	Capscrews - Bearing Cover	8	920285	—	Tool - Locknut	—	903091
35	Key - Shaft	1	<sup>1</sup> 909130	—	Kit - Maintenance	—	899221
41	Liner	1	<sup>2</sup> 184405	—	Kit - Rebuild	—	899121

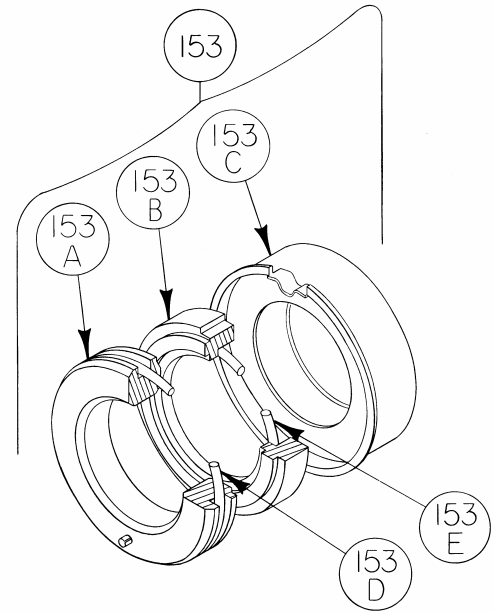
<sup>1</sup> Included in Maintenance Kit and Rebuild Kit      <sup>2</sup> Included in Rebuild Kit  
Keep this parts list with Installation, Operation and Maintenance Instructions.

**MECHANICAL SEAL – NH<sub>3</sub> OR DUAL SERVICE – SNCN (ID Code = QA)**

Ref. No.	Part Name	Parts Per Pump	Part No.
153	Mechanical Seal Assembly	2	<sup>1</sup> 334439
153A	Stationary Seat (Steel)	2	**
153B	Seal Face (Carbon)	2	**
153C	Jacket Assembly	2	**
153D	O-Ring - Stationary (Buna-N)	2	711924
153E	O-Ring Rotating (Buna-N)	2	711918

<sup>1</sup> Included in Maintenance Kit and Rebuild Kit

\*\* NOTE: Mechanical Seal Ref. No. 153 is only sold as a complete assembly. Ref. Nos. 153A, 153B & 153C are not available as separate replacement parts.



**OPTIONAL HYDRAULIC MOTOR ADAPTER PARTS**

Ref. No.	Part Name	Parts Per Pump	Part No.
	<b>Hydraulic Motor Adapter Kit</b>		894425
26A	Gasket- Hydraulic Motor Adapter	1	383940
28A	Capscrew – Hydraulic Motor Adapter / Head	4	920369
34	Coupling w/ Setscrew – 1.25" straight key hydraulic motor shaft	1	906967
35	Key – Coupling	1	909184
76	Grease Fitting	1	317185
76A	Grease Relief Fitting	1	701992
135	Hydraulic Motor Adapter – SAE A Flange)	1	041827
135A	Capscrew – Adapter / Motor	2	920510

