

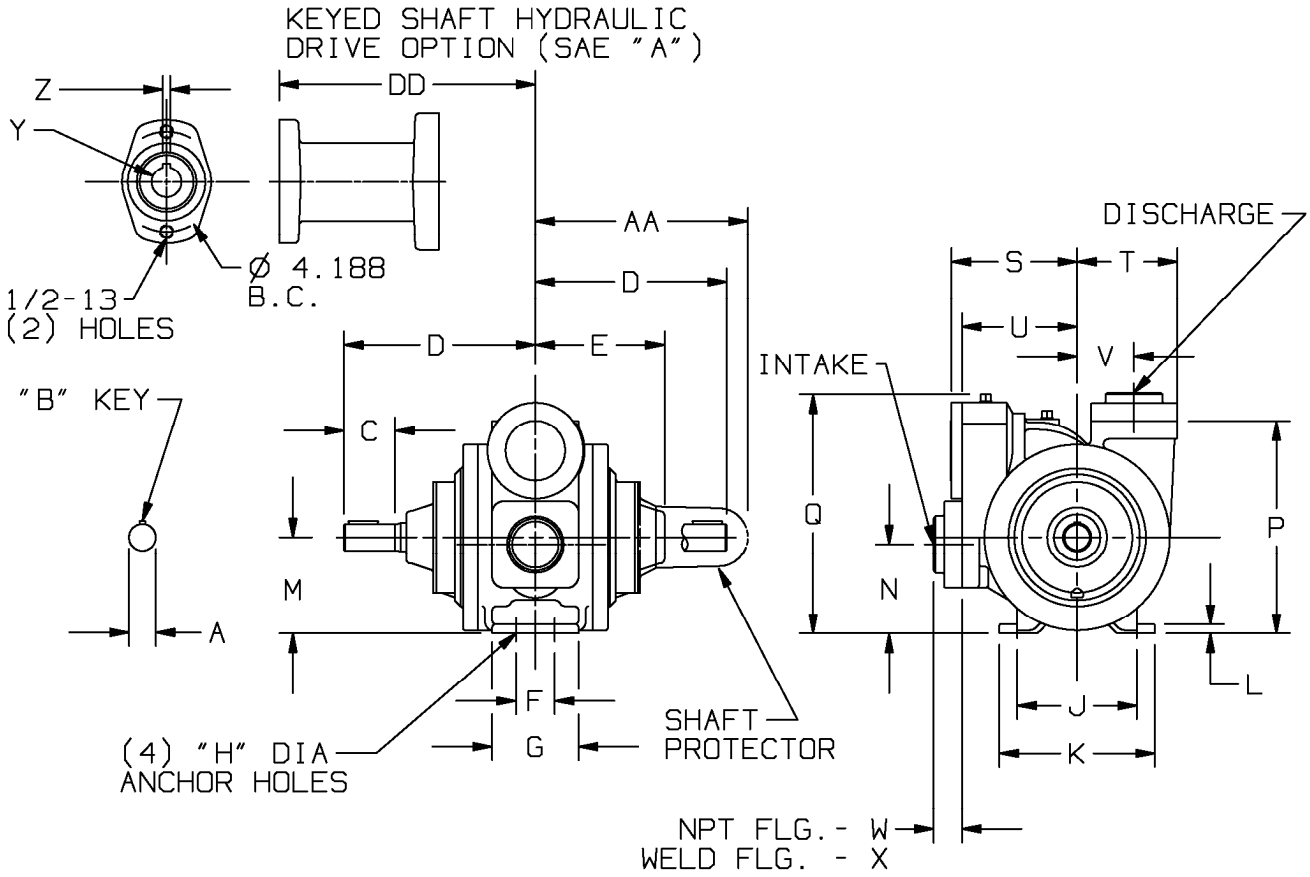


TYPE
LGL
LGLD

SIZE
2E

UNIT
STYLE
PO

DIMENSIONS 501-111
Section 501
Effective August 2007
Replaces August 2002
Page 1/4



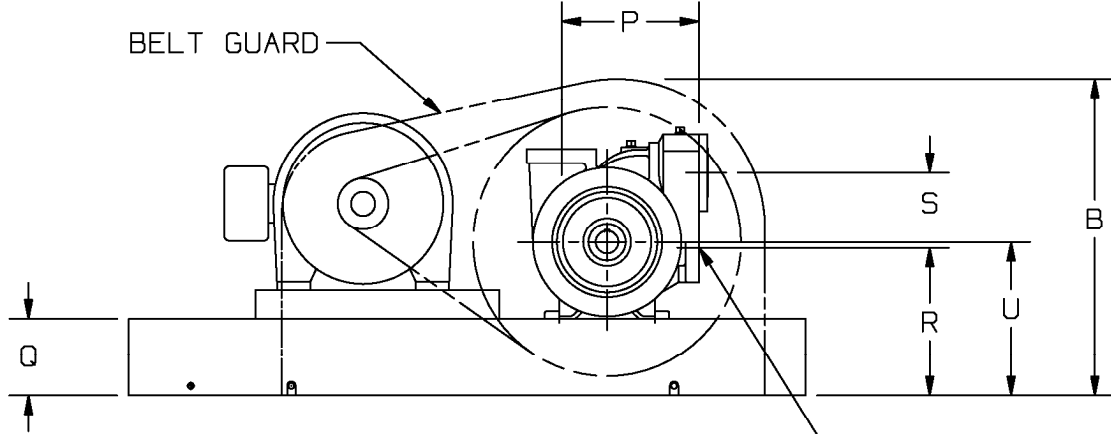
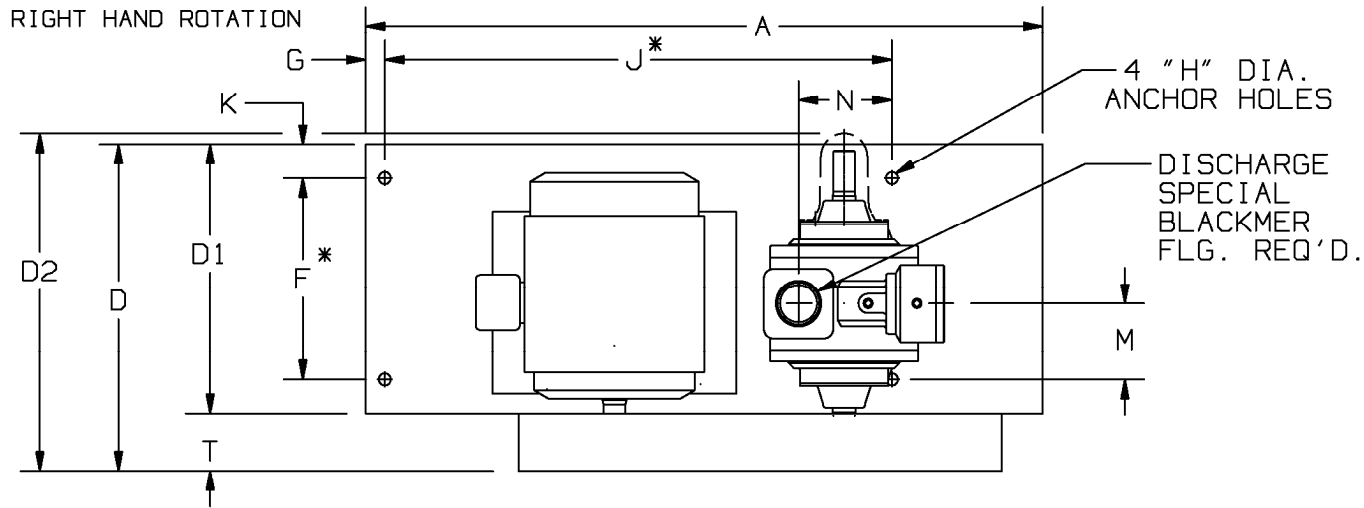
OPTIONAL PIPE CONNECTIONS:
2" NPT FLANGE, NODULAR
2" WELD FLANGE, STEEL

MOTOR			UNITS	DIMENSIONS									
FRAME SIZE				A	B	C	D	E	F	G	H	J	K
			IN	1 1/8	1/4	2 1/4	8	5 7/16	1 5/8	3 5/8	7/16	5	6 1/2
			MM	28,6	6,4	57,2	203,2	138,1	41,3	92,1	11,1	127	165,1
				L	M	N	P	Q	R	S	T	U	V
			IN	3/8	4	3 3/4	8 7/8	10	—	5 1/2	4 3/16	4 13/16	2 3/8
			MM	9,5	101,6	95,3	225,4	254	—	139,7	106,4	122,2	60,3
				w	x	y	z	AA	BB	CC	DD	EE	FF
			IN	1 1/8	1 3/16	1 1/4	5/16	8 15/16	—	—	10 3/4	—	—
			MM	28,6	30,2	31,8	7,9	227	—	—	273	—	—
				WEIGHT									
			LBS	85									
			KG	38,6									



TYPE	SIZE	UNIT STYLE
LGL	2	VB

DIMENSIONS 501-111	
Section	501
Effective	August 2007
Replaces	August 2002
Page 2/4	



UNIT DIMENSION LESS FLANGES
 * TOLERANCE $\pm \frac{1}{8}$
 TOLERANCE ON OTHER DIMENSIONS $\pm \frac{1}{4}$

MOTOR		FRAME SIZE	H.P.		UNIT NO.	DIMENSIONS																			
1800	1200		1800	1200		UNIT	A	B	D	D1	D2	F	G	H	J	K	M	N	P	Q	R	S	T	U	
330	220	182T	3	1.5	874415	IN.	35 ³ / ₈	15 ⁷ / ₈	17 ¹ / ₈	14	17 ³ / ₄	10 ¹ / ₂	1	5/8	26 ¹ / ₂	1 ³ / ₄	4	4 ⁷ / ₈	7 ¹ / ₄	4	7 ³ / ₄	5 ¹ / ₄	3 ¹ / ₈	8	
						MM	899	403	435	356	451	267	25	16	673	44	102	124	184	102	197	133	79	203	
420	280	182T	3	1.5	874414	IN.																			
						MM																			
420	280	184T	5	2	874416	IN.																			
						MM																			
520	340	182T	3	1.5	874419	IN.																			
						MM																			
520	340	184T	5	2	874417	IN.																			
						MM																			
660	440	184T	5	2	874420	IN.																			
						MM																			
660	440	213T	7.5	3	874418	IN.		17	20 ¹ / ₂																
						MM		432	521																

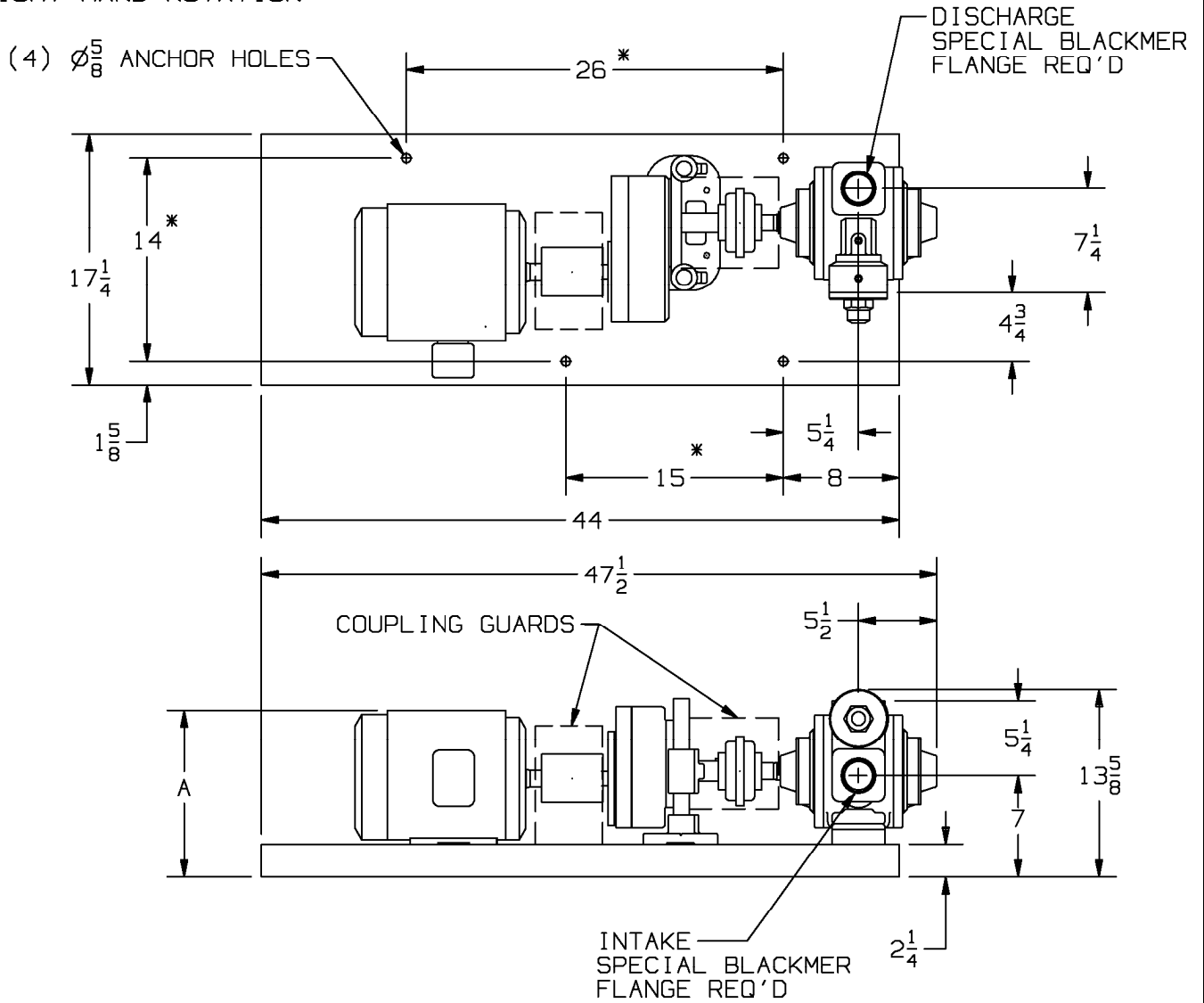
SAME AS ABOVE



TYPE	SIZE	UNIT STYLE
LGL	2E	HRA

DIMENSIONS 501-111	
Section	501
Effective	August 2007
Replaces	August 2002
Page	3/4

RIGHT HAND ROTATION



UNIT DIMENSION LESS FLANGES

* TOLERANCE $\pm \frac{1}{8}$

TOLERANCE ON OTHER DIMENSIONS $\pm \frac{1}{4}$

"A" DIMENSION LESS EYEBOLT

FLG. HGT: 2" NPT - 1 1/8
2" WELD - 1 1/4

MOTOR			BASE NO.	DIMENSIONS	
FRAME SIZE		A			
182T		901776	11 7/8		
184T		901776	11 7/8		

DIMENSIONS 501-111

Section 501
 Effective August 2007
 Replaces August 2002
 Page 4/4

TYPE

SIZE

UNIT
 STYLE

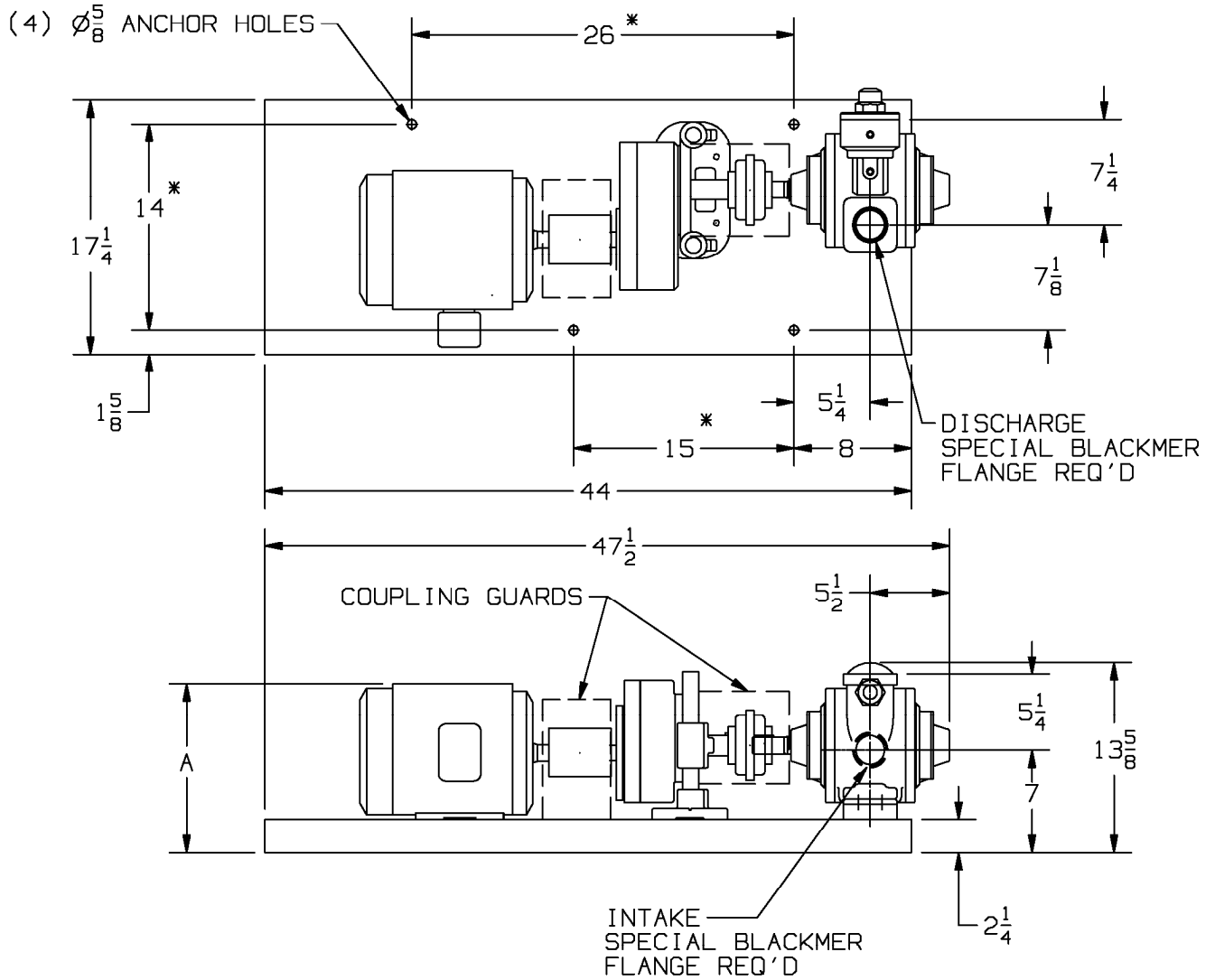
LGL

2E

HRA



LEFT HAND ROTATION



UNIT DIMENSION LESS FLANGES

* TOLERANCE $\pm \frac{1}{8}$

TOLERANCE ON OTHER DIMENSIONS $\pm \frac{1}{4}$

"A" DIMENSION LESS EYEBOLT

FLG. HGT: 2" NPT - 1 1/8
 2" WELD - 1 1/4

MOTOR		BASE NO.	DIMENSIONS	
FRAME SIZE			A	
182T		901776	11 $\frac{7}{8}$	
184T		901776	11 $\frac{7}{8}$	