

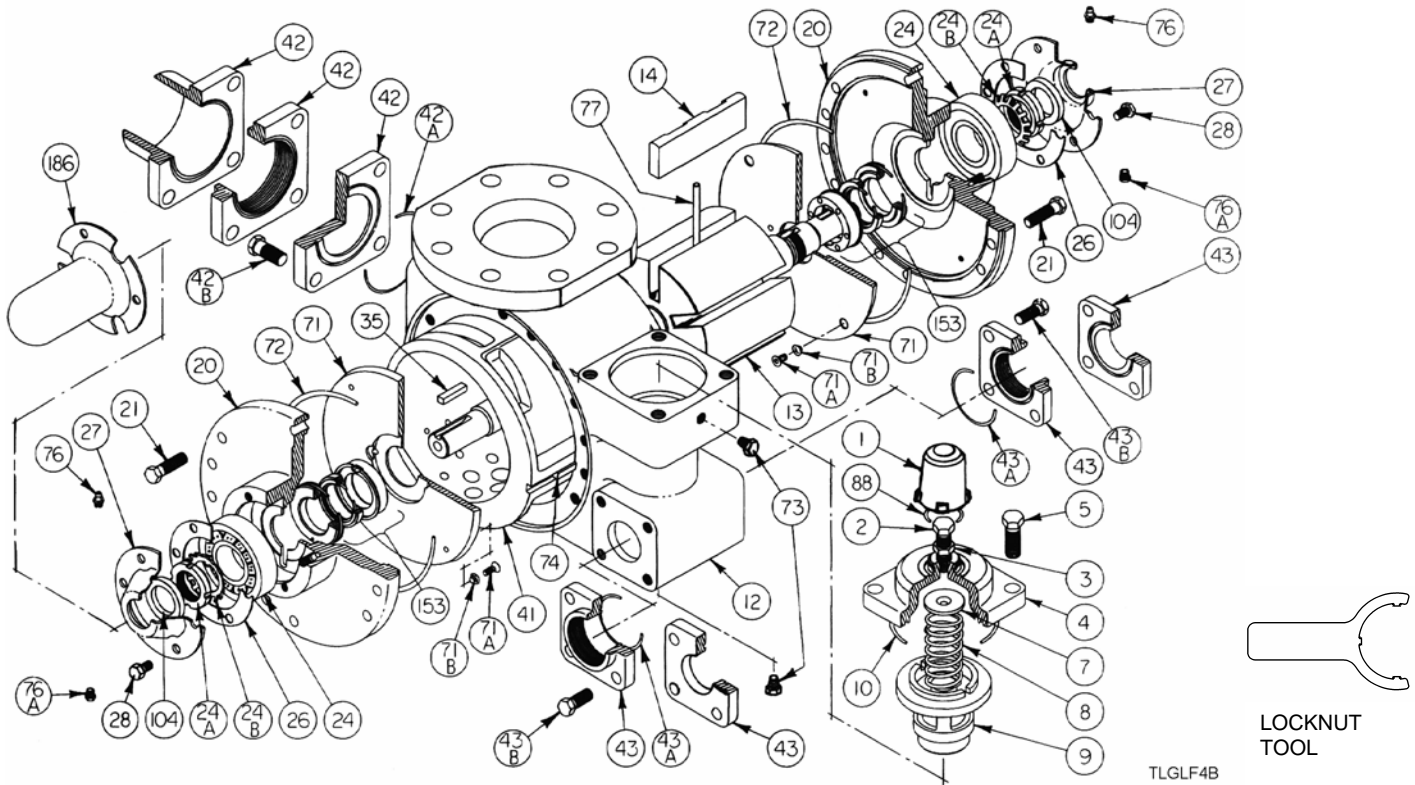
BLACKMER PARTS LIST

PUMP MODEL: TLGLF4B

962011 **PARTS LIST**
Page 1 of 2 **501-E02**

Section 501
Effective Jan 2006
Replaces May 2003

(See Instructions 501-E00 for Installation, Operation and Maintenance)



| Ref. No. | Description | Parts Per Pump | Part No. | Ref. No. | Description | Parts Per Pump | Part No. |
|---------------------------------|---|----------------|---------------------|------------------------------------|---|----------------|---------------------|
| 1 | Cap - Relief Valve (R/V) | 1 | 413952 | 42A | O-Ring - Flange | 1 | 701937 |
| 2 | Adjusting Screw - R/V | 1 | 436310 | 42B | Capscrew - 3" NPT Flange | 4 | 920663 |
| 3 | Locknut - Adjusting Screw | 1 | 432039 | | Capscrew - 3", 4" Weld Flange; Blank Flange | | 920640 |
| 4 | Cover - R/V | 1 | 412001 | TWIN DISCHARGE PORT OPTIONS | | | |
| 5 | Capscrews - R/V Cover | 4 | 920663 | 43 | Flange - 2" NPT | 2 | 652010 |
| 7 | Spring Guide - R/V | 1 | 426355 | | Flange - 2" Weld | | 652024 |
| 8 | Spring - R/V | 1 | 472039 | 43A | O-Ring - 2" NPT Flange | 0 - 2 | ¹ 701919 |
| 9 | Valve - R/V | 1 | 452001 | | O-Ring - 2" Weld Flange | 0 - 2 | ¹ 702004 |
| 10 | O-Ring - R/V Cover | 1 | ¹ 701946 | 43B | Capscrew - Discharge Flange | 8 | 920491 |
| 12 | Casing | 1 | 012041 | 71 | Disc | 2 | ¹ 062039 |
| 13 | Rotor & Shaft Asy. (includes Ref. No. 24A & 24B) | 1 | ² 262041 | 71A | Machine Screw - Disc | 8 | ² 920015 |
| 14 | Vane - Duravane (Std.) | 6 | ¹ 092019 | 71B | Lockwasher - Machine Screw | 8 | ² 909634 |
| 20 | Head | 2 | 032041 | 72 | O-Ring - Head | 2 | ¹ 702039 |
| 21 | Capscrews - Head | 28 | 920532 | 73 | Gage Plug | 2 | 908198 |
| 24 | Ball Bearing | 2 | ¹ 903166 | 74 | Key - Liner | 1 | ² 182040 |
| 24A | Locknut - Bearing | 2 | ² 903541 | 76 | Grease Fitting | 2 | 317815 |
| 24B | Lockwasher - Bearing | 2 | ¹ 903542 | 76A | Grease Relief Fitting | 2 | 701992 |
| 26 | Gasket - Bearing Cover | 2 | ¹ 385125 | 77 | Push Rod | 3 | ¹ 122009 |
| 27 | Bearing Cover | 2 | 041815 | 88 | O-Ring - R/V Cap | 1 | ¹ 701926 |
| 28 | Capscrews - Bearing Cover | 12 | 920286 | 104 | Grease Seal | 2 | ¹ 331908 |
| 35 | Key - Shaft | 1 | ¹ 909183 | 186 | Shaft, Protector | 1 | 341801 |
| 41 | Liner | 1 | ² 182000 | | Tool - Locknut | | 903092 |
| AUXILIARY INTAKE OPTIONS | | | | | Kit - Maintenance | | 899224 |
| 42 | Flange - 3" NPT | 1 | 652012 | | Kit - Rebuild | | 899124 |
| | Flange - 4" Weld | | 652005 | | | | |
| | Flange - 3" Weld | | 652007 | | | | |
| | Flange - Blank | | 652000 | | | | |

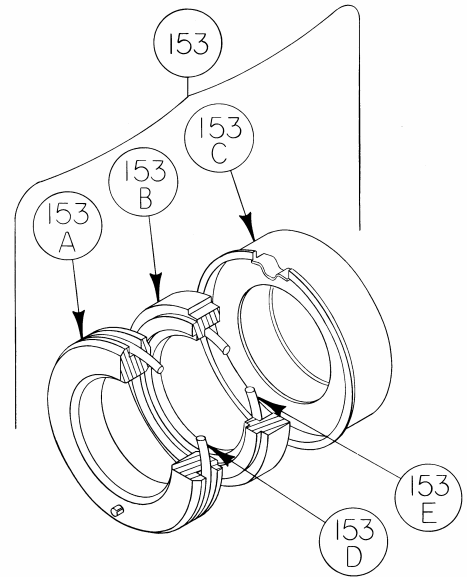
¹ Included in Maintenance Kit and Rebuild Kit
² Included in Rebuild Kit
Keep this parts list with Installation, Operation and Maintenance Instructions

MECHANICAL SEAL

| Ref. No. | Part Name | Parts Per Pump | Part No. |
|----------|----------------------------------|----------------|---------------------|
| 153 | Mechanical Seal Assembly | 2 | ¹ 332050 |
| 153A | Stationary Seat (Hardened Steel) | 2 | ** |
| 153B | Seal Face (Carbon) | 2 | ** |
| 153C | Jacket Assembly | 2 | ** |
| 153D | O-Ring - Stationary (Buna-N) | 2 | 701934 |
| 153E | O-Ring - Rotating (Buna-N) | 2 | 711912 |

¹ Included in Maintenance Kit and Rebuild Kit

** NOTE: Mechanical Seal Assy. (Ref. 153) is only sold as a complete assembly. Ref. Nos. 153A, 153B & 153C are not available as separate replacement parts.



OPTIONAL HYDRAULIC MOTOR ADAPTER PARTS

| Ref. No. | Part Name | Parts Per Pump | Part No. |
|-----------|--|----------------|----------|
| See Below | Hydraulic Motor Adapter Kit | See Below | 892037 |
| 26A | Gasket – Hydraulic Motor Adapter | 1 | 381817 |
| 28A | Capscrew – Hydraulic Motor Adapter / Head | 6 | 920369 |
| 34 | Coupling w/ Setscrew – 1.25" straight key hyd. motor shaft | 1 | 906970 |
| 35 | Key – Coupling | 1 | 909184 |
| 76 | Grease Fitting | 1 | 317815 |
| 76A | Grease Relief Fitting | 1 | 701992 |
| 135 | Hydraulic Motor Adapter – SAE A Flange | 1 | 041829 |
| 135A | Capscrew – Adapter / Motor | 2 | 920510 |

