

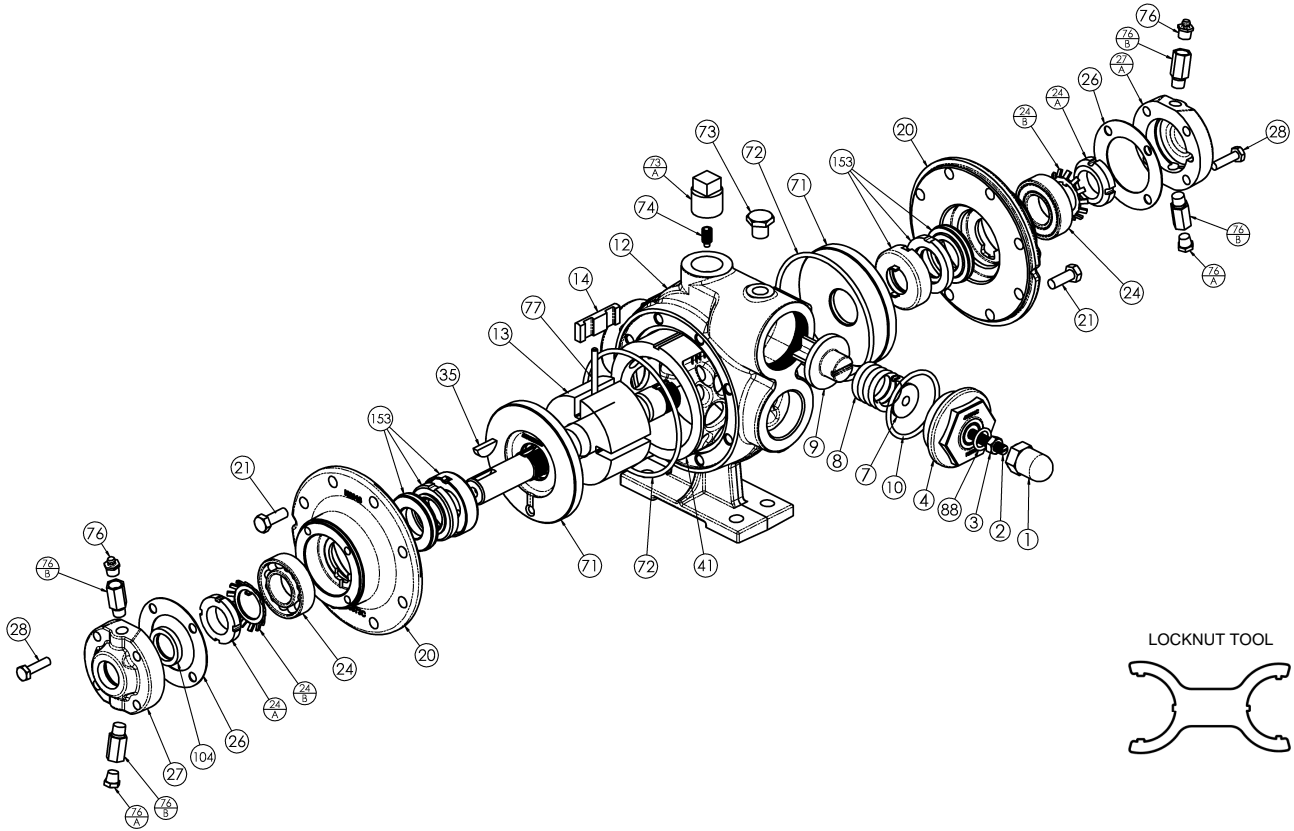
BLACKMER PARTS LIST

PUMP MODELS: CRLR1.25, CRL1.25, CRL1.5
 (See Instructions 701-A00 for Installation, Operation and Maintenance)

962301
 Page 1 of 2

PARTS LIST
701-A01

Section 701
 Effective July 2002
 Replaces May 2002



Ref. No.	Description	Parts per Pump	Part No.	Ref. No.	Description	Parts per Pump	Part No.
1	Cap - Relief Valve (R/V)	1	413200	41	Liner - CRLR1.25	1	² 183003
2	Adjusting Screw - R/V	1	433909		Liner - CRL1.25		² 183004
3	Locknut - Adjusting Screw	1	922923		Liner - CRL1.5		² 183301
4	Cover - R/V	1	413076	71	Disc	2	² 063075
7	Spring Guide - R/V	1	423955	72	O-Ring - Head	2	¹ 701918
8	Spring - R/V (81 - 125 psi)	1	471428	73	Gage Plug (1/4")	1	908198
9	Valve - R/V	1	453077	73A	Gage Plug (3/4") (see note)	1	908225
10	O-Ring - R/V Cover	1	¹ 711924	74	Setscrew - Liner	1	922088
12	Casing (1.25)	1	013075	76	Grease Fitting	2	317815
	Casing (1.5)		013376	76A	Grease Relief Fitting	2	701992
13	Rotor & Shaft Assembly (Includes Ref. Nos. 24A & 24B)	1	² 263076	76B	Extension Coupling	4	701905
			14	Vane - Laminate	4	¹ 093089	77
20	Head	2	033076	Push Rod - CRL1.25	¹ 123076		
21	Capscrews - Head	16	920276	Push Rod - CRL1.5	¹ 123401		
24	Ball Bearing	2	¹ 903114	88	O-Ring - R/V Cap	1	¹ 701949
24A	Locknut - Bearing	2	² 903534	104	Grease Seal	1	¹ 331927
24B	Lockwasher - Bearing	2	¹ 903533		Tool - Locknut		903090
26	Gasket - Bearing Cover	2	¹ 383075		Kit - Maintenance , CRLR1.25		898902
27	Bearing Cover - Inboard	1	043070		Kit - Maintenance , CRL1.25		898903
27A	Bearing Cover - Outboard	1	043071		Kit - Maintenance , CRL1.5		898904
28	Capscrews - Bearing Cover	8	920080		Kit - Rebuild ,CRLR1.25		899002
35	Key - Shaft	1	² 909125		Kit - Rebuild ,CRL1.25		899003
					Kit - Rebuild ,CRL1.5		899004

¹ Included in Maintenance Kits and Rebuild Kits

² Included in Rebuild Kits

Ref. No. 73A: Earlier versions of these pumps may use a 1/4" plug (pn 908198) or 1/2" plug (pn 908215).

Note: earlier versions of these pumps used taper pins, which are no longer required.

Keep this parts list with Installation, Operation and Maintenance Instructions.

MECHANICAL SEAL

Ref. No.	Part Name	Parts Per Pump	Part No.
153	Mechanical Seal Assembly (CELE)	2	¹ 333025
153A**	Stationary Seat (Carbon)	2	333023
153B**	Seal Face (Silicon Carbide)	2	333024
153C**	Jacket Assembly	2	333001
153D	O-Ring – Stationary (Special-EPDM)	2	702351
153E	O-Ring – Rotating (Special-EPDM)	2	702350

¹ Included in Maintenance Kits and Rebuild Kits
 ** Ref. Nos. 153A, 153B, 153C are not available as separate replacement parts.

