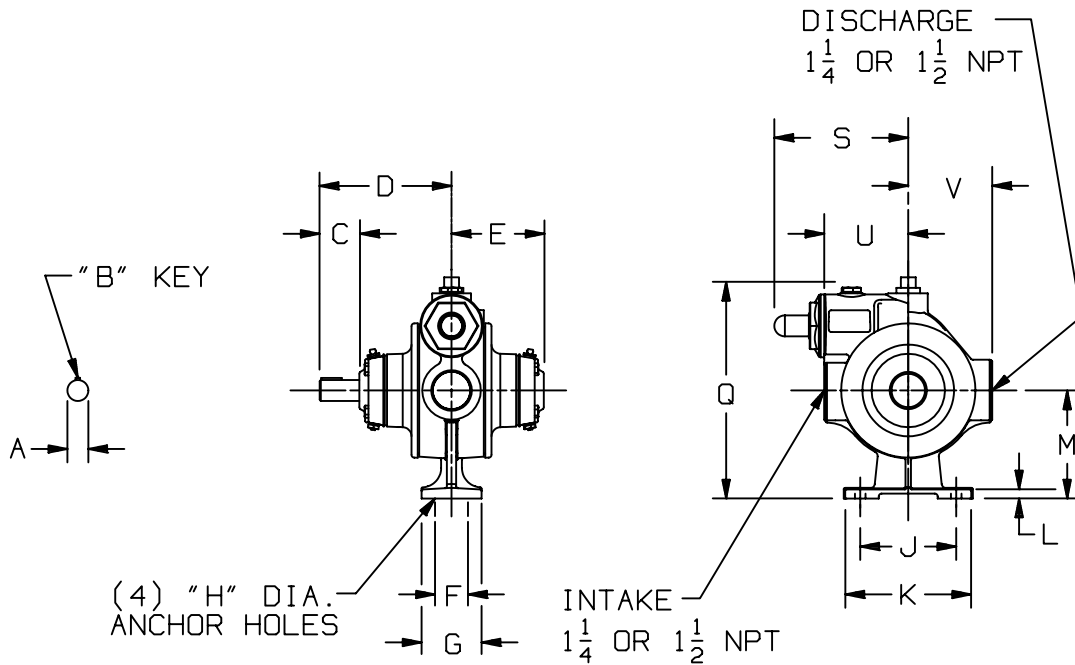




TYPE	SIZE	UNIT STYLE	DIMENSIONS 701-101	
	CRL	1.25, 1.5	Section Effective Replaces	701 August 2002 August 2000

RIGHT HAND ROTATION. FOR LEFT HAND ROTATION , SHAFT PROJECTION IS OPPOSITE THAT SHOWN.



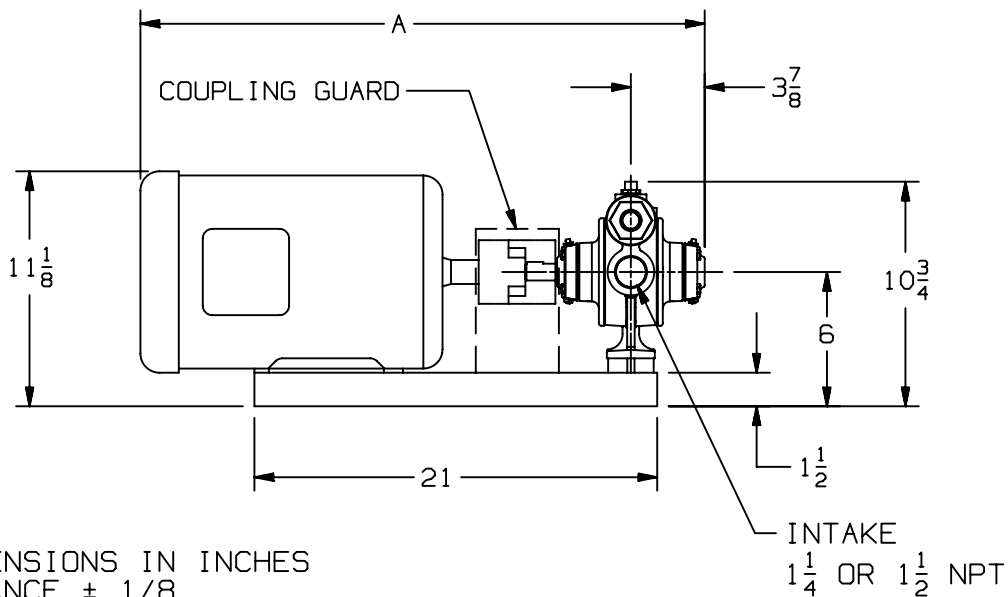
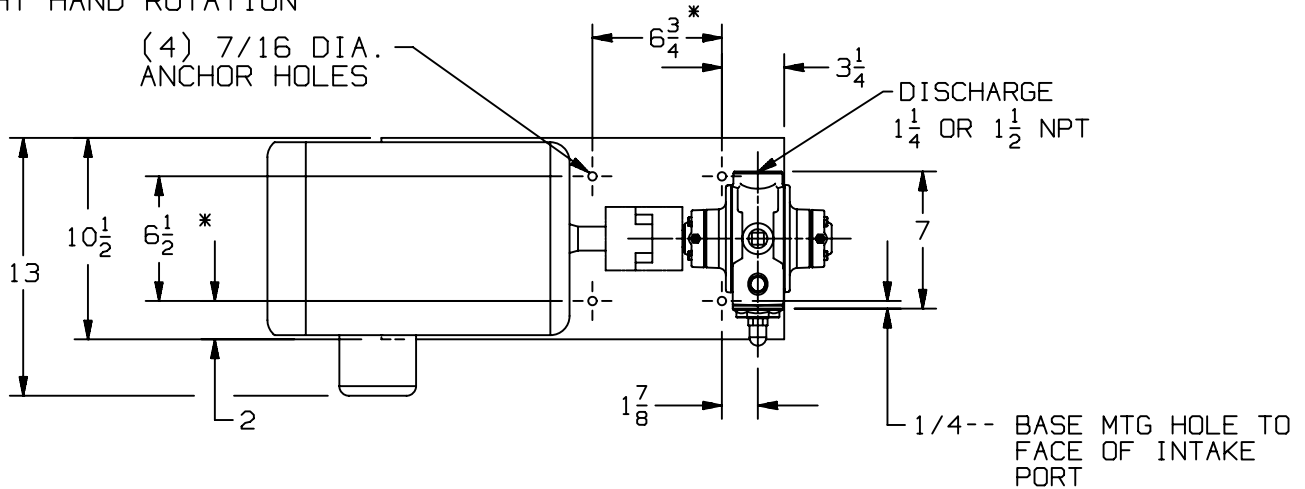
MOTOR			UNITS	DIMENSIONS									
FRAME SIZE				A	B	C	D	E	F	G	H	J	K
			IN	7/8	3/16	15/8	5 1/2	37/8	13/8	2 1/2	7/16	4	5 1/2
			MM	22,2	4,8	41,3	139,7	98,4	34,9	63,5	11,1	101,6	139,7
				L	M	N	P	Q	R	S	T	U	V
			IN	3/8	4 1/2	—	—	9 1/8	—	55/8	—	3 1/2	3 1/2
			MM	9,5	114,3	—	—	231,8	—	142,9	—	88,9	88,9
				W	X	Y	Z	AA	BB	CC	DD	EE	FF
			IN	—	—	—	—	—	—	—	—	—	—
			MM	—	—	—	—	—	—	—	—	—	—
				WEIGHT									
			LBS	29									
			KG	13,2									



TYPE	SIZE	UNIT STYLE
CRL	1.25	DM
	1.5	


DIMENSIONS 701-101	
Section	701
Effective	August 2002
Replaces	December 2000
Page 2 / 3	

RIGHT HAND ROTATION

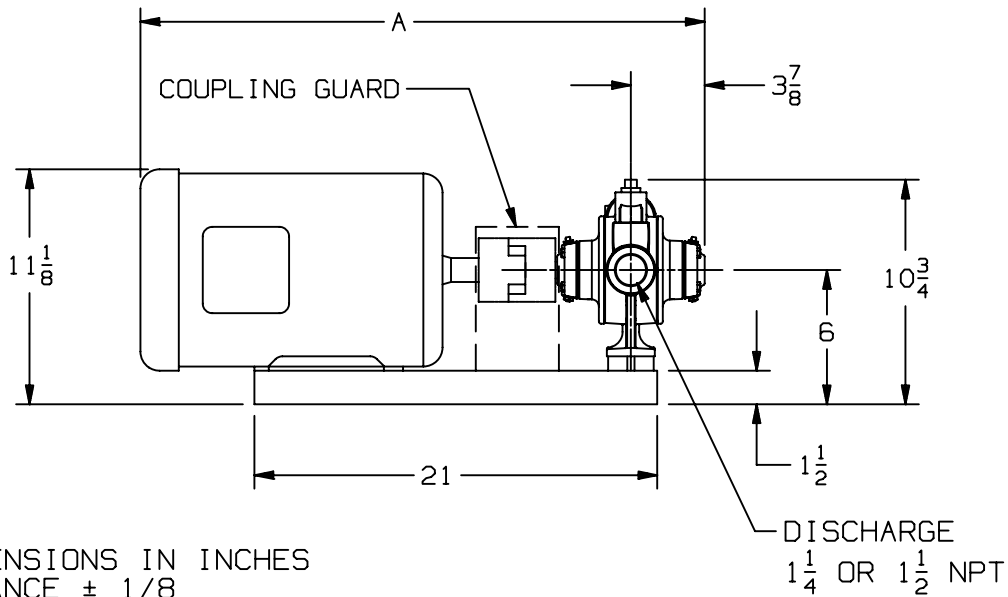
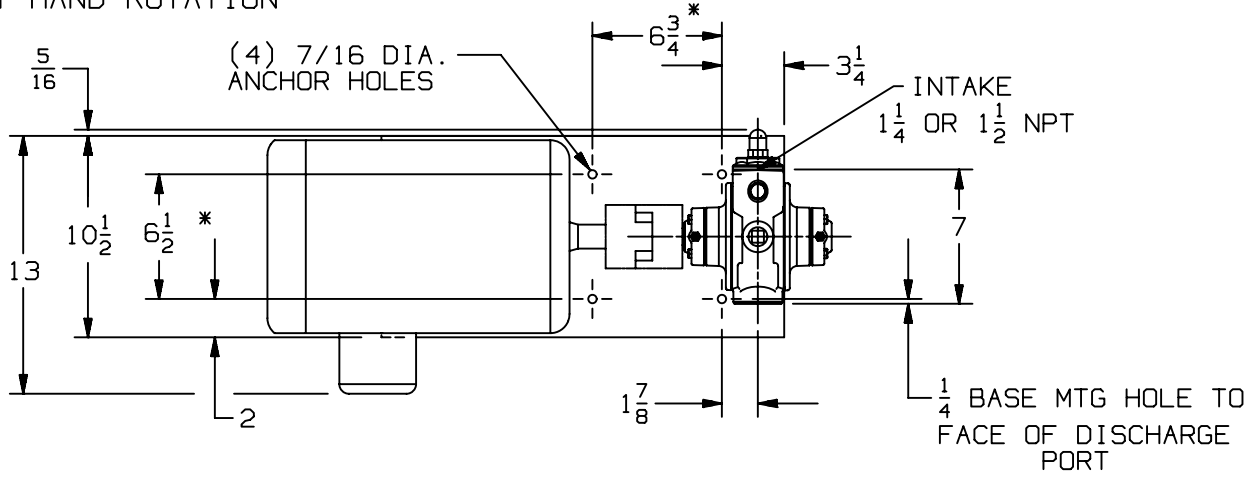


ALL DIMENSIONS IN INCHES  
 \* TOLERANCE  $\pm 1/8$   
 TOLERANCE ON OTHER DIMENSIONS  $\pm 1/4$

PUMP SIZE	GPM AT 30 PSI	PUMP SPEED	H.P.	UNIT NO.	DIMENSIONS	
					A	
CRL1 1/4	9	900	1	842300	26 3/4	
CRL1 1/2	15	900	1 1/2	842600	28	

DIMENSIONS 701-101		TYPE	SIZE	UNIT STYLE		
Section	701	CRL	1.25	DM		
Effective	August 2002		1.5			
Replaces	December 2000					
Page	3/3					

LEFT HAND ROTATION



ALL DIMENSIONS IN INCHES  
 \* TOLERANCE  $\pm 1/8$   
 TOLERANCE ON OTHER DIMENSIONS  $\pm 1/4$

PUMP SIZE	GPM AT 30 PSI	PUMP SPEED	H.P.	UNIT NO.	DIMENSIONS	
					A	
CRL1 1/4	9	900	1	842301	26 3/4	
CRL1 1/2	15	900	1 1/2	842601	28	