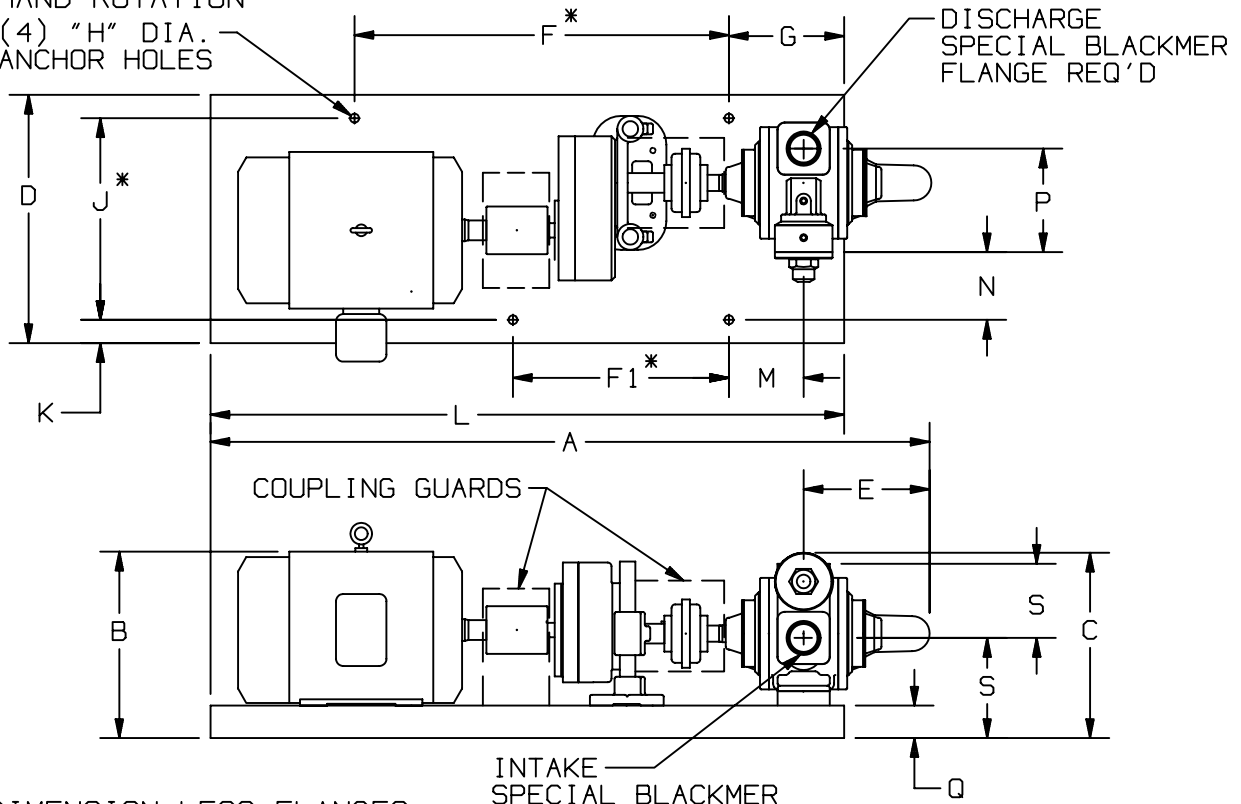




TYPE	SIZE	UNIT STYLE
SGL	2	HRA

DIMENSIONS 801-113  
 Section Effective 801  
 Replaces MARCH 2005  
 Pg 1/2 JANUARY 2004

RIGHT HAND ROTATION  
 (4) "H" DIA.  
 ANCHOR HOLES



UNIT DIMENSION LESS FLANGES

\* TOLERANCE  $\pm \frac{1}{8}$  IN.  $\pm 3.2$  MM

TOLERANCE ON OTHER DIMENSIONS  $\pm \frac{1}{4}$  IN.  $\pm 6.4$  MM

"B" DIMENSION LESS EYEBOLT

FLG. HGT: 2" NPT - W  
 2" WELD - X

MOTOR			DIMENSIONS													
FRAME SIZE		BASE NO.	UNITS	A	B	C	D	E	F	F1	G	H	J	K	L	
182T		901776	IN	51	11 7/8	13 5/8	17 1/4	8 15/16	26	15	8	7/16	14	1 5/8	44	
			MM	1295.4	301.8	346	438.2	204.8	660.4	381	203.4	15.7	355.6	41.2	1117.6	
184T		901776	IN	51	11 7/8	13 5/8	17 1/4	8 15/16	26	15	8	7/16	14	1 5/8	44	
			MM	1295.4	301.8	346	438.2	204.8	660.4	381	203.4	15.7	355.6	41.2	1117.6	
213T		901776	IN	51	13 3/8	13 5/8	17 1/4	8 15/16	26	15	8	7/16	14	1 5/8	44	
			MM	1295.4	339.8	346	438.2	204.8	660.4	381	203.4	15.7	355.6	41.2	1117.6	
215T		901776	IN	51	13 3/8	13 5/8	17 1/4	8 15/16	26	15	8	7/16	14	1 5/8	44	
			MM	1295.4	339.8	346	438.2	204.8	660.4	381	203.4	15.7	355.6	41.2	1117.6	
				M	N	P	Q	R	S	W	X					
182T		901776	IN	5 1/4	4 3/4	7 1/4	2 1/4	7	5 1/4	1 1/8	1 1/4					
			MM	133.4	120.7	184.2	57.2	177.8	133.4	28.4	31.8					
184T		901776	IN	5 1/4	4 3/4	7 1/4	2 1/4	7	5 1/4	1 1/8	1 1/4					
			MM	133.4	120.7	184.2	57.2	177.8	133.4	28.4	31.8					
213T		901776	IN	5 1/4	4 3/4	7 1/4	2 1/4	7	5 1/4	1 1/8	1 1/4					
			MM	133.4	120.7	184.2	57.2	177.8	133.4	28.4	31.8					
215T		901776	IN	5 1/4	4 3/4	7 1/4	2 1/4	7	5 1/4	1 1/8	1 1/4					
			MM	133.4	120.7	184.2	57.2	177.8	133.4	28.4	31.8					

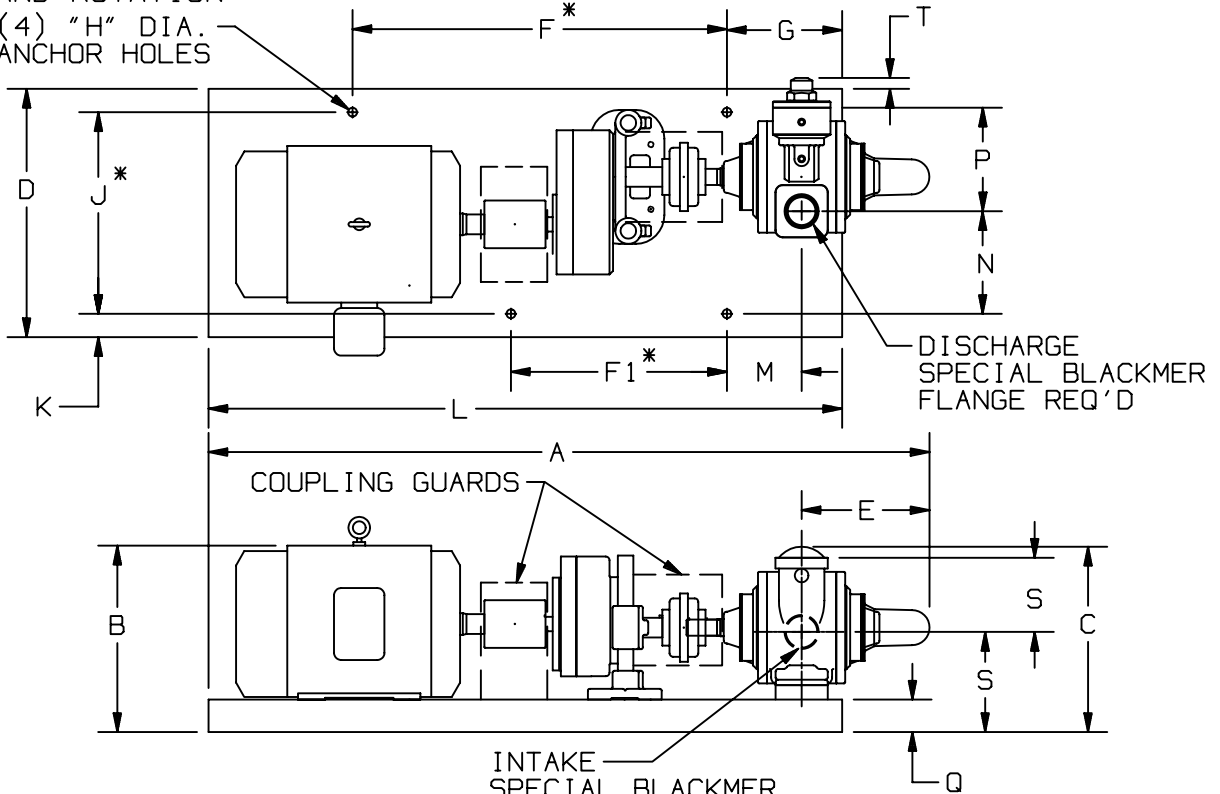
DIMENSIONS 801-113  
 Section 801  
 Effective MARCH 2005  
 Replaces NEW  
 Pg 2/2

TYPE	SIZE	UNIT STYLE
SGL	2	HRA



LEFT HAND ROTATION

(4) "H" DIA. ANCHOR HOLES



UNIT DIMENSION LESS FLANGES

\* TOLERANCE  $\pm \frac{1}{8}$  IN.  $\pm 3.2$  MM

TOLERANCE ON OTHER DIMENSIONS  $\pm \frac{1}{4}$  IN.  $\pm 6.4$  MM

"B" DIMENSION LESS EYEBOLT

FLG. HGT: 2" NPT - W  
 2" WELD - X

MOTOR			DIMENSIONS												
FRAME SIZE		BASE NO.	UNITS	A	B	C	D	E	F	F1	G	H	J	K	L
182T		901776	IN	51	11 7/8	13 5/8	17 1/4	8 15/16	26	15	8	7/16	14	1 5/8	44
			MM	1295.4	301.8	346	438.2	204.8	660.4	381	203.4	15.7	355.6	41.2	1117.6
184T		901776	IN	51	11 7/8	13 5/8	17 1/4	8 15/16	26	15	8	7/16	14	1 5/8	44
			MM	1295.4	301.8	346	438.2	204.8	660.4	381	203.4	15.7	355.6	41.2	1117.6
213T		901776	IN	51	13 3/8	13 5/8	17 1/4	8 15/16	26	15	8	7/16	14	1 5/8	44
			MM	1295.4	339.8	346	438.2	204.8	660.4	381	203.4	15.7	355.6	41.2	1117.6
215T		901776	IN	51	13 3/8	13 5/8	17 1/4	8 15/16	26	15	8	7/16	14	1 5/8	44
			MM	1295.4	339.8	346	438.2	204.8	660.4	381	203.4	15.7	355.6	41.2	1117.6
				M	N	P	Q	R	S	T	W	X			
182T		901776	IN	5 1/4	7 1/4	7 1/4	2 1/4	7	5 1/4	3/4	1 1/8	1 1/4			
			MM	133.4	184.2	184.2	57.2	177.8	133.4	19.1	28.4	31.8			
184T		901776	IN	5 1/4	7 1/4	7 1/4	2 1/4	7	5 1/4	3/4	1 1/8	1 1/4			
			MM	133.4	184.2	184.2	57.2	177.8	133.4	19.1	28.4	31.8			
213T		901776	IN	5 1/4	7 1/4	7 1/4	2 1/4	7	5 1/4	3/4	1 1/8	1 1/4			
			MM	133.4	184.2	184.2	57.2	177.8	133.4	19.1	28.4	31.8			
215T		901776	IN	5 1/4	7 1/4	7 1/4	2 1/4	7	5 1/4	3/4	1 1/8	1 1/4			
			MM	133.4	184.2	184.2	57.2	177.8	133.4	19.1	28.4	31.8			