

This page covers discontinued models. Jan.2002

BLACKMER PARTS LIST

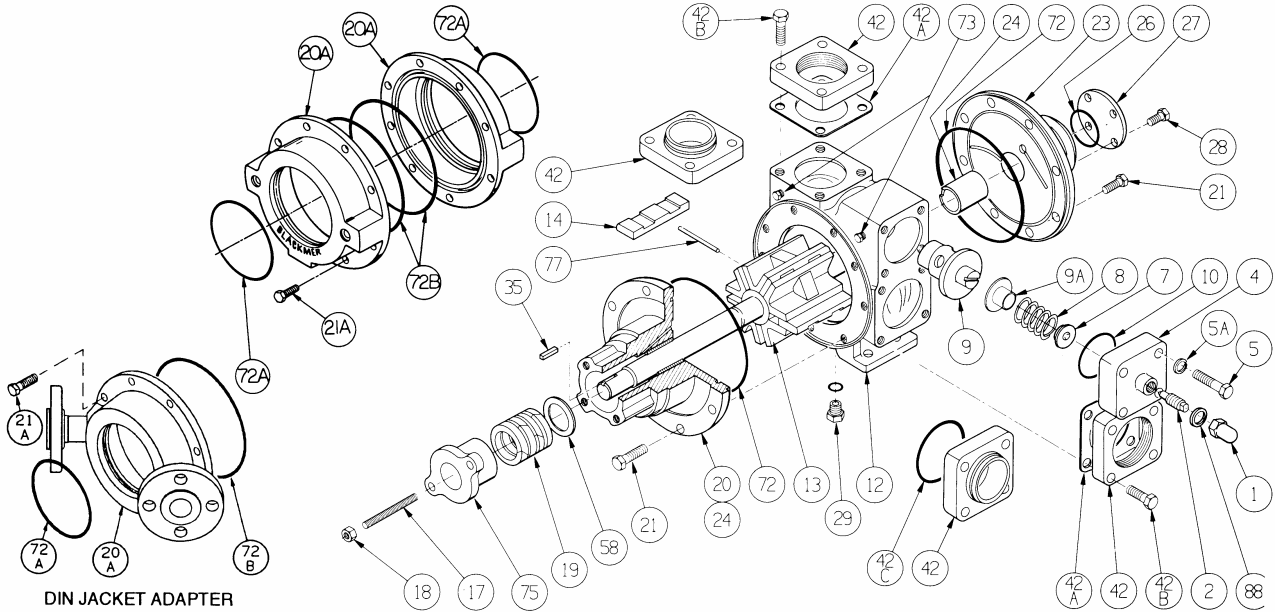
PUMP MODEL: NP2.5E

DISCONTINUED MODEL: NP2½C

NOTE: "B" model suffix indicates FKM replaces Buna-N as the standard elastomer.
(See Instructions 103-A00 or 185/F for Installation, Operation and Maintenance)

961602 **PARTS LIST**
Page 1 of 2 **103-A03_0107**

Section 103
Effective July 2001
Replaces 185/F5 June95

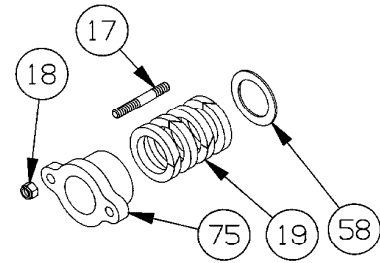


Ref. No.	Description	Parts per Pump	Part No.	Ref. No.	Description	Parts per Pump	Part No.
1	Cap - Relief Valve (R/V)	1	411452				
2	Adjusting Screw - R/V	1	431401	14	Vane - EC Laminate	6	091627
4	Cover - R/V (Std.)	1	411600		Vane - EC Cast Iron		091621
	Cover - R/V ¹		411608		Vane - EC Bronze		091624
5	Capscrew - R/V Cover (Std.)	4	920316	20	Head & Bushing Asy. - Inboard	1	031608
	Capscrew - R/V Cover ¹		920421	20A	SAE Heating Jacket	0 - 2	031606
5A	Lockwasher - R/V Capscrew	0 - 4	909649	21	Din Heating Jacket/Adapter Asy.		891697
7	Spring Guide - R/V (Std.)	1	423955	21	Capscrews - Head	16	920331
	Spring Guide - R/V ¹		421805	23	Capscrews - Heating Jacket	0 - 16	920369
8	Spring - R/V (35-40 psi)	1	471606	24	Head & Bushing Asy. - Outboard	1	031609
	Spring - R/V (41-50 psi)		471608	26	Sleeve Bearing	2	161600
	Spring - R/V (51-110 psi)		471631		O-Ring - Bearing Cover (FKM) (Std.)	1	702038
	Spring - R/V (111-150 psi)		471614		O-Ring - Bearing Cover (PTFE)		702234
	Spring - R/V (151-200 psi) ¹		471670	27	Bearing Cover	1	041600
	SS Spring - R/V (41-50 psi)		471610	28	Capscrews - Bearing Cover	4	920285
	SS Spring - R/V (51-110 psi)		471632	29	Pipe Plug Asy. ² (SAE # 6) (FKM) (Std.)	1	908212
	SS Spring - R/V (111-150 psi)		471615		Pipe Plug Asy. ² (SAE # 6) (PTFE)		908213
9	Valve - R/V (51-200 psi)(Std.)	1	451623	35	Key - Shaft	1	909177
	Valve - R/V (51-200 psi)(Nickel Plated)		451624	42	Flange - 2½" NPT (Std.) ⁴	2	651611
	Valve - R/V (35-50 psi)		451609	42A	Gasket - NPT Flange (Comp.) (Std.) ⁴	2	381650
9A	Collar - Valve ¹	0 - 1	431606	42B	Capscrew - 2½" NPT Flange ²	8	920532
	O-Ring - R/V Cover (FKM) (Std.)		701924	72	O-Ring - Head (FKM) (Std.)	2	702241
10	O-Ring - R/V Cover (PTFE)	1	702079		O-Ring - Head (PTFE)		702242
	Cylinder (Std.)		021605	72A	O-Ring (Small) - Jacket (FKM) ³	0 - 2	701991
12	Cylinder w/ Drain (Ductile Iron) ²	1	021611		O-Ring (Small) - Jacket (EPR) ³		702249
	Rotor & Shaft (Std.)		261668	72B	O-Ring (Large) - Jacket (FKM) ³	0 - 2	702241
13	Rotor & Shaft (Ext. Length)	1	261670		O-Ring (Large) - Jacket (EPR) ³		702253
	Valve - Duravane (Std.)		091619	73	Gage Plug	2	908198
14	Valve - Laminate	6	091629	77	Push Rods	3	121607
				88	Gasket - R/V Cap	1	701981

¹Optional High Pressure Relief Valve - parts must be used as a group (includes p/n's 411608, 920421, 909649, 421805, 431606, and either 471670 or 471671). ²SAE Plug standard with ductile iron cylinder (p/n 021611) and cast iron cylinder w/drain (p/n 021602). ³For hot oil circulation use FKM O-Rings; For steam circulation use EPR O-Rings. ⁴See backside for Flange Options EC = Extra-Clearance SS = Stainless Steel

PACKING - STANDARD

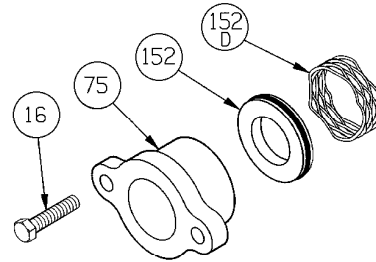
Ref. No.	Part Name	Parts Per Pump	Part No.
17	Stud - Packing Follower	2	921868
18	Nut - Packing Follower Stud	2	922428
19	Packing Set	1	321868
58	Pack Washer	1	355168
75	Packing Follower	1	141868



LIP SEAL - OPTIONAL

Ref. No.	Part Name	Parts Per Pump	Part No.
16	Capscrew - Follower	2	920359
75	Seal Follower	1	141868
152	Lip Seal Assembly (To 500°F)	1	702245
152D	Wave Spring	1	321601

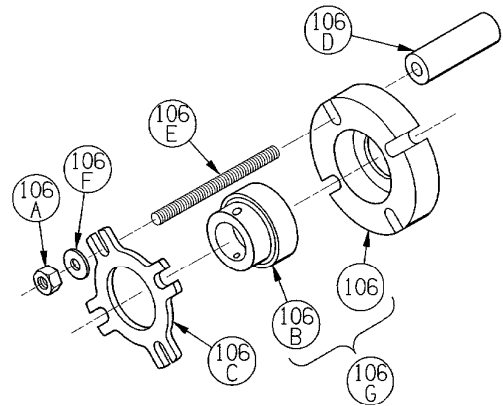
NOTE: A Commercial Mechanical Seal (cartridge type) can be used in place of packing or lip seals. Consult mechanical seal manufacturer for more information.



SHAFT SUPPORT BEARING – OPTIONAL*

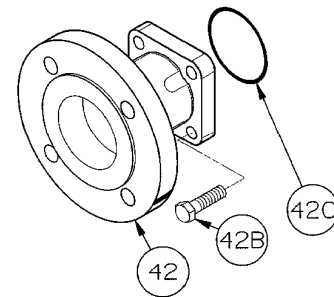
Ref. No.	Part Name	Parts Per Pump	Part No.
See Below	Shaft Support Bearing Kit	See Below	891698
106	Bearing Housing	1	651414
106A	Locknut - Bearing Housing	4- 6	922428
106B	Bearing & Collar Assembly	1	903136
106C	Cover - Bearing Housing	1	651409
106D	Stand Off - Bearing Support (for use with packing)	2	631603
	Stand Off - Bearing Support (for use with mechanical seal)	4	631602
106E	Stud - Bearing Support	4	921484
106F	Washer - Locknut	4	909665
106G	Bearing & Housing Assembly	—	631604

*Shaft Support Bearing is designed for use with Extended Length Rotor & Shaft - p/n 261670.



FLANGE OPTIONS

Ref. No.	Part Name	Parts Per Pump	Part No.
42	Flange – 2½" Weld (shown on front)	0- 2	651610
	Flange – DIN 80		651618
	Flange – ANSI 3"		651617
42B	Capscrew – Weld /DIN/ANSI Fig.	0- 8	920491
42C	O-Ring – Flange (FKM)	0- 2	701924
	O-Ring – Flange (PTFE)		702079



DIN / ANSI FLANGE