

BLACKMER PARTS LIST

961201
Page 1 of 2

PARTS LIST
108-A01_jan06

PUMP MODELS: MVP15B, MVP20B, MVP30B

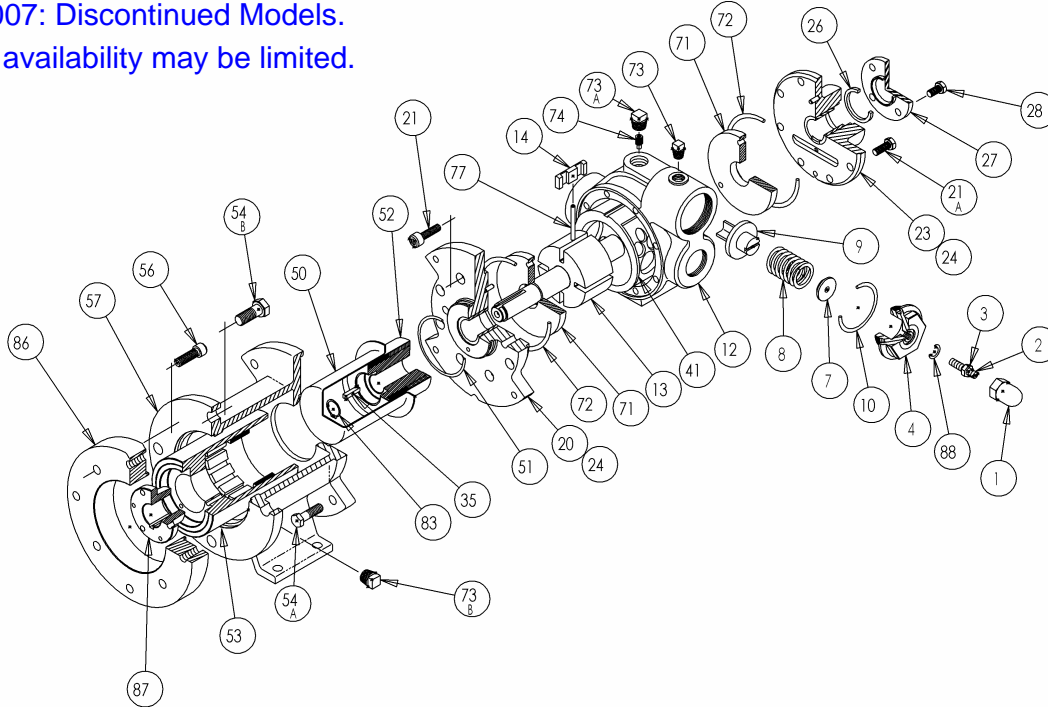
(See Instructions 108-A00 for Installation, Operation and Maintenance)

Discontinued Models: MVP15, MVP20, MVP30

(See Instructions 185/T for Installation, Operation and Maintenance)

Section 108
Effective Jan 2006
Replaces April 2003

Mar 2007: Discontinued Models.
Parts availability may be limited.



Ref. No.	Description	Parts per Pump	Part No.	Ref. No.	Description	Parts per Pump	Part No.		
1	Cap - Relief Valve (R/V)	1	413200	52	Inner Magnet	1	See Back		
2	Adjusting Screw - R/V	1	433909	53	Outer Magnet	1	See Back		
3	Locknut - Adjusting Screw	1	922923	54A	Capscrews - Housing/Head	4	920331		
4	Cover - R/V	1	413076	54B	Capscrews - Housing/Adapter	4	920495		
7	Spring Guide - R/V	1	423955	56	Capscrews - Adapter/Motor (143-145TC Frame)	4	920356		
8	Spring - R/V (25 - 50 psi)	1	471417	57	Capscrews - Adapter/Motor (182-184TC, 213-215TC Frame)	1	920491		
	Spring - R/V (51 - 75 psi) (Std.)		471418		681203				
	Spring - R/V (76 - 100 psi)		471427		71		Disc	2	2061204
	Spring - R/V (101 - 150 psi)		471429		72		O-Ring - Head (PTFE)	2	1702066
9	Valve - R/V (Std.)	1	453079	73	Gage Plug (1/4" NPT)	1	908198		
Valve - R/V (Nickel Plated)	453073		73A	Gage Plug (3/4" NPT)	1	908225			
10	O-Ring - R/V Cover (PTFE)	1	702084	73B	Plug - Housing (1/2" NPT)	1	908217		
12	Casing	1	013377	74	Set screw - Liner	1	922088		
13	Rotor & Shaft	1	2261204	77	Push Rod - MVP15	2	1123004		
14	Vane - Duravane (Std.)	4	1093088		Push Rod - MVP20		1123076		
	Vane - EC Laminate		093091		Push Rod - MVP30		1123401		
20	Inboard Head & Bearing Asy.	1	1031204	83	Snap Ring	1	1903599		
21	Capscrews - Inboard Head	8	920238	86	Motor Adapter - 143-145TC Frame	1	831200		
21A	Capscrews - Outboard head	8	920276		Motor Adapter - 182-184TC Frame		831201		
23	Outboard Head & Bearing Asy.	1	1031206		Motor Adapter - 213-215TC Frame		831204		
24	Sleeve Bearing	2	1161201	87	Bushing - Outer Magnet	1	See Back		
26	Seal Ring - Bearing Cover (PTFE)	1	1711957	88	O-Ring - R/V Cap (PTFE)	1	702074		
27	Bearing Cover	1	041204	—	Warning Label- Magnet Housing	1	909504		
28	Capscrews - Bearing Cover	4	920129	—	Kit - Maintenance - MVP15	—	898924		
35	Key - Shaft	1	909196	—	Kit - Maintenance - MVP20	—	898925		
41	Liner - MVP15	1	2183003	—	Kit - Maintenance - MVP30	—	898926		
	Liner - MVP20		2183004	—	Kit - Rebuild - MVP15	—	899024		
	Liner - MVP30		2183301	—	Kit - Rebuild - MVP20	—	899025		
50	Containment Can	1	681201	—	Kit - Rebuild - MVP30	—	899026		
51	O-Ring - Containment Can	1	1702077	—					

EC = Extra Clearance. Keep this parts list with Installation, Operation and Maintenance Instructions.

¹ Included in Maintenance Kit and Rebuild Kit

² Included in Rebuild Kit

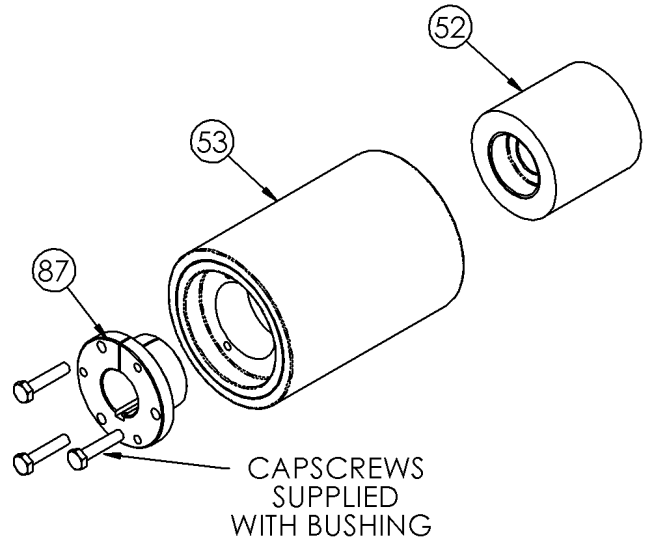
KI Pumps & Systems, Inc.,
TEL (888) 547 8678

206 Enterprise Road, P.O. Box 180287,
FAX (262) 547 8678 info@kipumps.com

Delafield, WI 53018-1768
www.blackmerpumps.com

MAGNET OPTIONS

Ref. No.	Part Name	Parts Per Pump	Part No.		
52	Inner Magnet (MC10)	1	681260		
	Inner Magnet (MC20)		681261		
53	Outer Magnet (MC10) 143-145TC Frame 182-184TC Frame	1	681270		
	Outer Magnet (MC20) 182-184TC Frame 213-215TC Frame		681271		
	87		Bushing Outer Magnet (MC10) 143-145TC Frame	1	902431
			Bushing Outer Magnet (MC10) 182-184TC Frame		902451
Bushing Outer Magnet (MC20) 182-184TC Frame					
Bushing Outer Magnet (MC20) 213-215TC Frame		902453			



Discontinued Models MVP15, MVP20, & MVP30 used different magnets and lockcollars in place of ref. (87) bushing. Replacement of either the Inner Magnet (52), the outer Magnet (53), or the lockcollars (87) on these models will require the replacement of all three parts.

