

# BLACKMER PARTS LIST

## PUMP MODEL: PV10A, PV15A

Discontinued Models: Parts Availability may be limited.

(See Instructions 111-A00 for Installation, Operation and Maintenance)

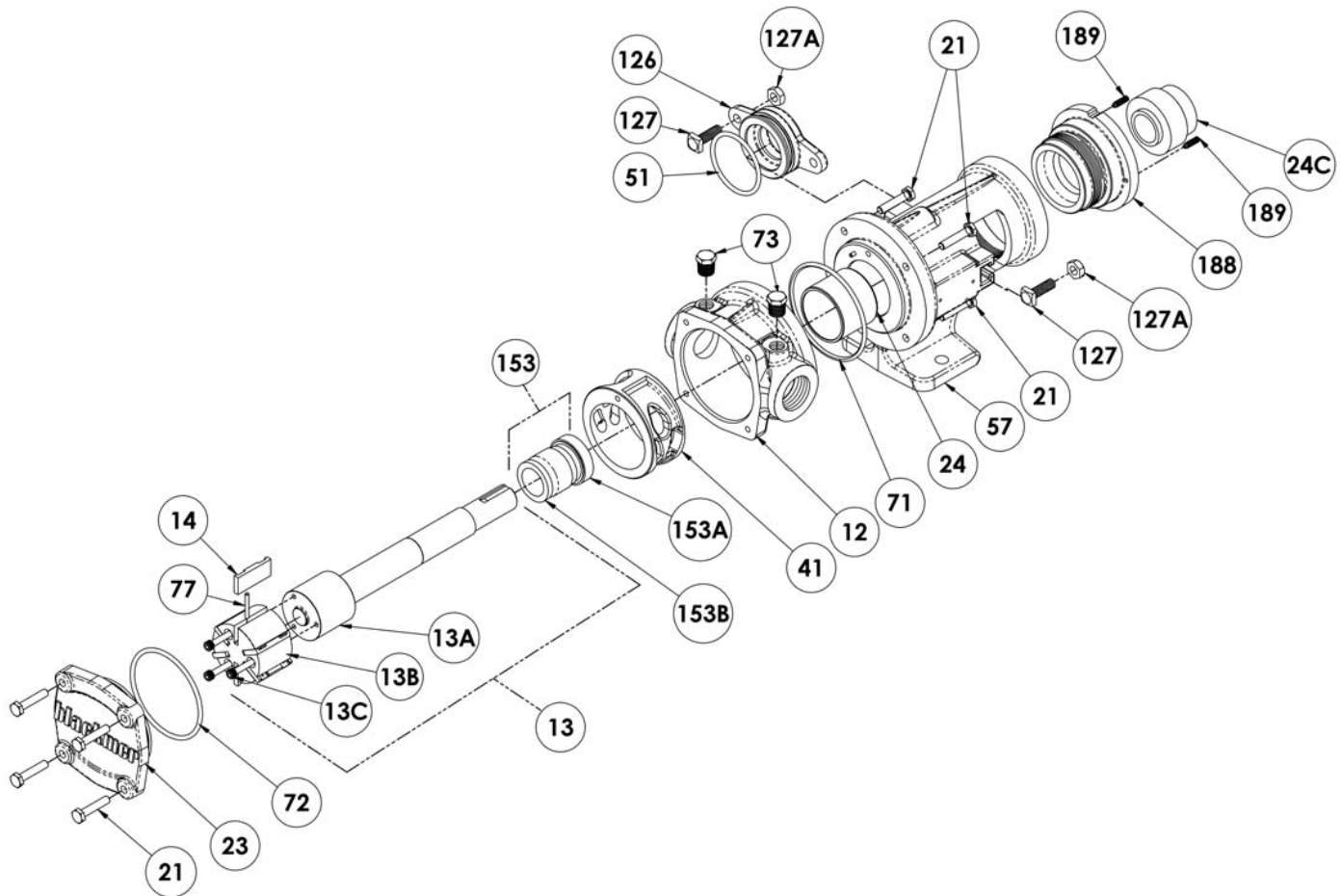
965806

Page 1 of 2

PARTS LIST

111-A02

Section	111
Effective	January 2005
Replaces	New



Ref. No.	Description	Parts per Pump	Part No.	Ref. No.	Description	Parts per Pump	Part No.
12	Casing	1	016705	51	O-Ring – Seal Cover (FKM)	1	701970
13	Rotor & Shaft Asy. (Std.) <sup>1</sup>	1	266705	57	Drive Housing	1	836705
	Rotor & Shaft Asy. (E.C.) <sup>2</sup>		266706	71	O-Ring – Drive Housing (FKM)	1	711959
13A	Shaft	1	216705	72	O-Ring – Head (FKM)	1	701924
13B	Rotor (Std.) <sup>1</sup>	1	206705	73	Plug – ¼" NPT	2	908198
	Rotor (E.C.) <sup>2</sup>		206706	77	Push Rod – PV10A -Plastic (Std.) <sup>1</sup>	3	125813
13C	Rotor Cap screws	3	920268		Push Rod – PV10A -Steel <sup>2</sup>		126705
14	Vane – Duravane (Std.) <sup>1</sup>	6	094862		Push Rod – PV15A -Plastic (Std.) <sup>1</sup>		125814
	Vane – Bronze <sup>2</sup>		094872		Push Rod – PV15A -Steel <sup>2</sup>		126706
21	Cap screw	8	920080	126	Seal Cover	1	146705
23	Head	1	036705	127	Seal Cover Cap screw	2	920377
24	Bearing – Sleeve	1	166705	127A	Seal Cover Locknut	2	922825
24C	Bearing – Ball	1	903189	153	Mechanical Seal Assembly -Std. <sup>1</sup>	1	See Backside
35	Key – Shaft	1	909152				
41	Liner – PV10A	1	186705	188	Bearing Adjuster	1	306705
	Liner – PV15A		186706	189	Bearing Adjuster Set Screw	2	922023

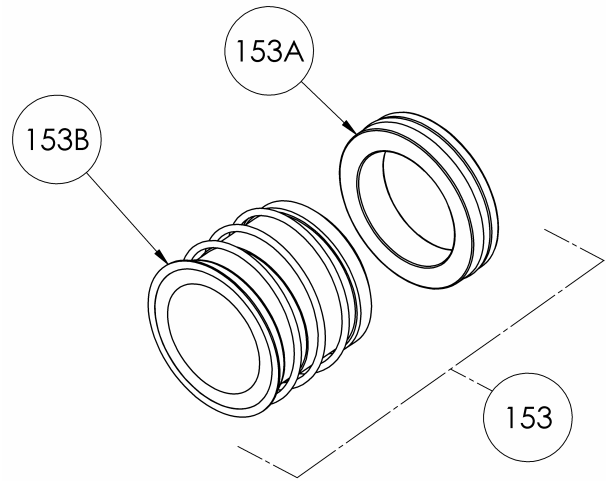
<sup>1</sup> Standard Clearance Rotor, Duravanes, Plastic Push Rods and the Mechanical Seal must be used together.

<sup>2</sup> Extra Clearance Rotor, Bronze Vanes, Metal Push Rods and the Lip Seal must be used together. (for higher viscosity applications).

Keep this parts list with Installation, Operation and Maintenance Instructions.

**MECHANICAL SEAL**

Ref. No.	Part Name	Parts Per Pump	Part No.
153	Mechanical Seal Complete	1	336705
153A	Stationary Seal and Seat	-	-
153B	Rotating Face & Element	-	-



KI Pumps & Systems, Inc.,  
TEL (888) 547 8678

206 Enterprise Road, P.O. Box 180287,  
FAX (262) 547 8678 info@kipumps.com

Delafield, WI 53018-1768  
www.blackmerpumps.com