

BLACKMER PARTS LIST

PUMP MODEL: PV20A, PV30A, PV40A, PV50A

Discontinued Models - Parts Availability may be limited.

(See Instructions 111-A00 for Installation, Operation and Maintenance)

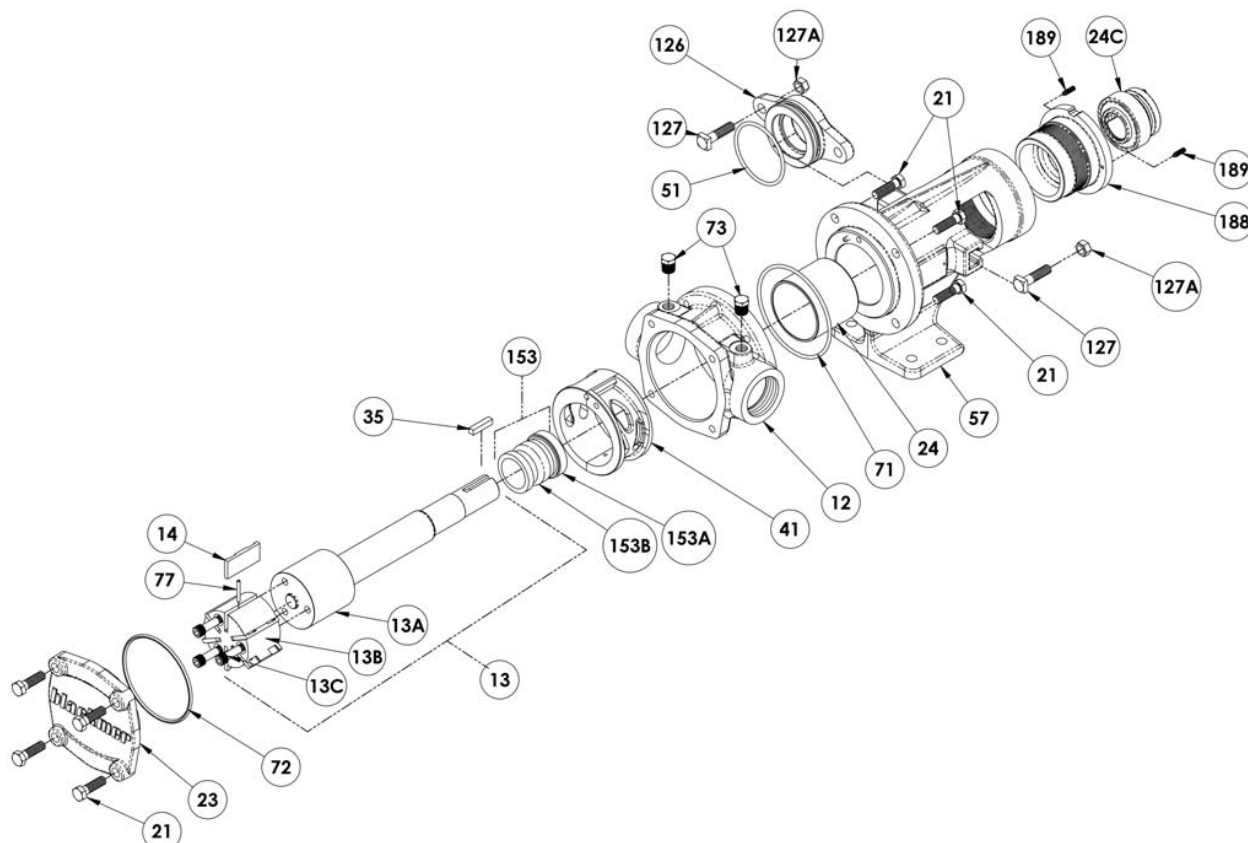
965807

Page 1 of 2

PARTS LIST

111-A03

Section	111
Effective	January 2005
Replaces	New



Ref. No.	Description	Parts per Pump	Part No.	Ref. No.	Description	Parts per Pump	Part No.	
12	Casing – PV20A, PV30A	1	015805	41	Liner – PV20A	1	185806	
	Casing – PV40A, PV50A		015806		Liner – PV30A		185805	
13	Rotor & Shaft Asy PV20,30 (Std.) ¹	1	265805		Liner – PV40A		185807	
	Rotor & Shaft Asy PV20,30 (E.C.) ²		265815		Liner – PV50A		185808	
	Rotor & Shaft Asy PV40,50 (Std.) ¹		265806	51	O-Ring – Seal Cover (FKM)	1	702086	
	Rotor & Shaft Asy PV40,50 (E.C.) ²		265816	57	Drive Housing	1	835805	
13A	Shaft	1	215805	71	O-Ring – Drive Housing (FKM)	1	701991	
13B	Rotor – PV20A, PV30A (Std.) ¹	1	205805	72	O-Ring – Head (FKM)	1	701968	
	Rotor – PV20A, PV30A – (E.C.) ²		205816	73	Plug – ¼" NPT	2	908198	
	Rotor – PV40A, PV50A (Std.) ¹		205806	77	Push Rod – PV20A – Plastic (Std.) ¹	3	125815	
	Rotor – PV40A, PV50A – (E.C.) ²		205818		Push Rod – PV20A - Steel ²		125806	
13C	Rotor Cap screws – PV20A, PV30A	3	920270		Push Rod – PV30A – Plastic (Std.) ¹		125816	
	Rotor Cap screws – PV40A, PV50A		920269		Push Rod – PV30A - Steel ²		125805	
	14		Vane – PV20&30 – Duravane (Std.) ¹		6		094864	Push Rod – PV40A – Plastic (Std.) ¹
Vane – PV20&30 – Bronze ²		094874	Push Rod – PV40A - Steel ²				125807	
Vane – PV40&50 - Duravane (Std.) ¹		094865	Push Rod – PV50A – Plastic (Std.) ¹	125818				
Vane – PV40&50 – Bronze ²		094866	Push Rod – PV50A - Steel ²	125808				
21	Cap screw – Head	8	920351	126	Seal Cover	1	145805	
23	Head	1	035805	127	Seal Cover Cap screw	2	920374	
24	Bearing – Sleeve	1	165805	127A	Seal Cover Locknut	2	922841	
24C	Bearing – Ball	1	903184	153	Mechanical Seal Assembly -Std. ¹	1	See Backside	
35	Key, Shaft	1	909178		188	Bearing Adjuster	1	305805
					189	Bearing Adjuster Set Screw	2	922023

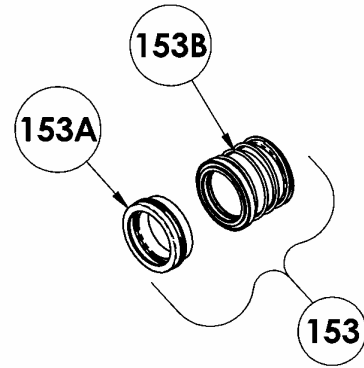
¹ Standard Clearance Rotor, Duravanes, Plastic Push Rods and the Mechanical Seal must be used together.

² Extra Clearance Rotor, Bronze Vanes, Metal Push Rods and the Lip Seal must be used together. (for higher viscosity applications).

Keep this parts list with Installation, Operation and Maintenance Instructions.

MECHANICAL SEAL

Ref. No.	Part Name	Parts Per Pump	Part No.
153	Mechanical Seal Complete	1	335805
153A	Stationary Seal and Seat	-	-
153B	Rotating Face & Element	-	-



KI Pumps & Systems, Inc.,
TEL (888) 547 8678

206 Enterprise Road, P.O. Box 180287,
FAX (262) 547 8678 info@kipumps.com

Delafield, WI 53018-1768
www.blackmerpumps.com