

BLACKMER PARTS LIST

PUMP MODEL: PV80A, PV100A

Discontinued Models - Parts Availability may be limited.

(See Instructions 111-A00 for Installation, Operation and Maintenance)

965808

Page 1 of 2

PARTS LIST

111-A04

Section

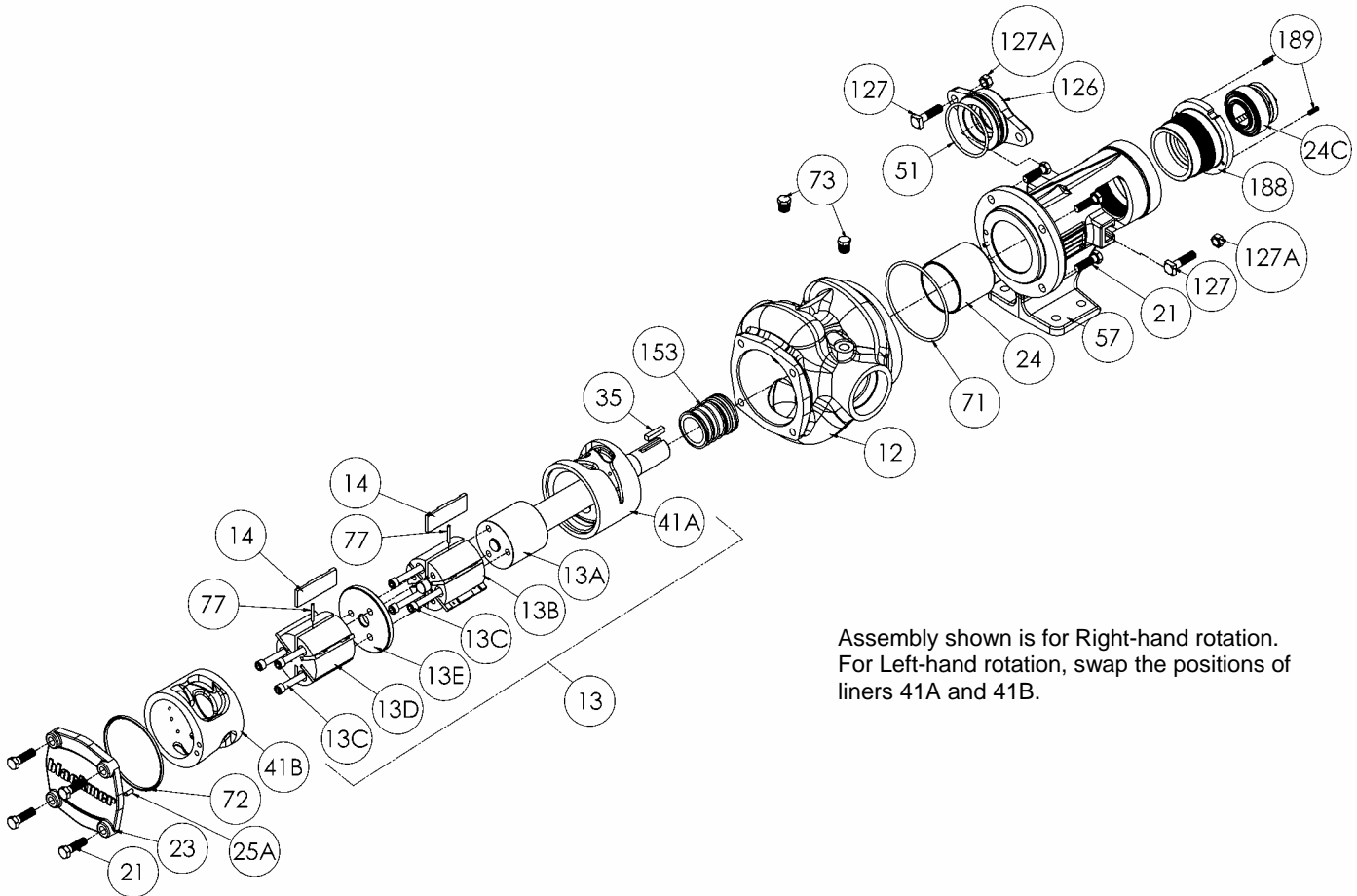
111

Effective

March 2005

Replaces

January 2005



Assembly shown is for Right-hand rotation.
For Left-hand rotation, swap the positions of
liners 41A and 41B.

Ref. No.	Description	Parts per Pump	Part No.	Ref. No.	Description	Parts per Pump	Part No.
12	Casing	1	015807	41A	Liner – PV80A	1	185809
13	Rotor & Shaft Asy. (Std.) ¹	1	265807	41A	Liner – PV100A	1	185810
	Rotor & Shaft Asy. (E.C.) ²			265817	41B		Liner – PV80A
13B	Inboard Rotor (Std.) ¹	1	205812	41B	Liner – PV100A	1	185814
	Inboard Rotor (E.C.) ²			205815	51		O-Ring – Seal Cover (FKM)
13A	Shaft	1	215805	57	Drive Housing	1	835804
13B	Outboard Rotor (Std.) ¹	1	205807	71	O-Ring – Drive Housing (FKM)	1	701991
13D	Outboard Rotor (E.C.) ²			205817	72	O-Ring – Head (FKM)	1
13C	Rotor Cap screws	6	920263	73	Plug, 1/4" NPT	2	908198
13D	Rotating Disc	1	065801	77	Push Rod – PV80A – Plastic (Std.) ¹	6	125817
14	Vane – Duravane (Std.) ¹	12	094865		Push Rod – PV80A – Steel ²		125807
	Vane – Bronze ²				094866		Push Rod – PV100A – Plastic (Std.) ¹
21	Cap screw – Head	8	920351		Push Rod – PV100A – Steel ²		125808
23	Head	1	035805	126	Seal Cover	1	145805
24	Bearing – Sleeve	1	165805	127	Seal Cover Cap screw	2	920374
24C	Bearing – Ball	1	903184	127A	Seal Cover Locknut	2	922841
25A	Pin – Head	1	930565	153	Mechanical Seal Assembly -Std. ¹	1	See Backside
35	Key – Shaft	1	909178	188	Bearing Adjuster	1	305805
				189	Bearing Adjuster Set Screw	2	922023

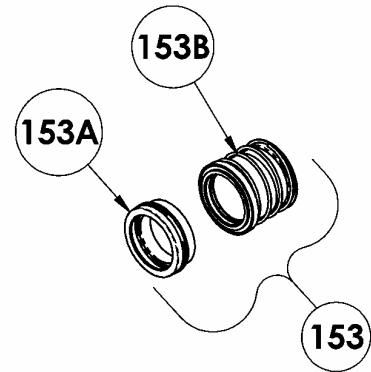
¹ Standard Clearance Rotor, Duravanes, Plastic Push Rods and the Mechanical Seal must be used together.

² Extra Clearance Rotor, Bronze Vanes, Metal Push Rods and the Lip Seal must be used together (for higher viscosity applications).

Keep this parts list with Installation, Operation and Maintenance Instructions.

MECHANICAL SEAL

Ref. No.	Part Name	Parts Per Pump	Part No.
153	Mechanical Seal Complete	1	335805
153A	Stationary Seal and Seat	-	-
153B	Rotating Face & Element	-	-



KI Pumps & Systems, Inc.,
TEL (888) 547 8678

206 Enterprise Road, P.O. Box 180287,
FAX (262) 547 8678 info@kipumps.com

Delafield, WI 53018-1768
www.blackmerpumps.com