

BLACKMER PARTS LIST

PUMP MODEL: ATX300

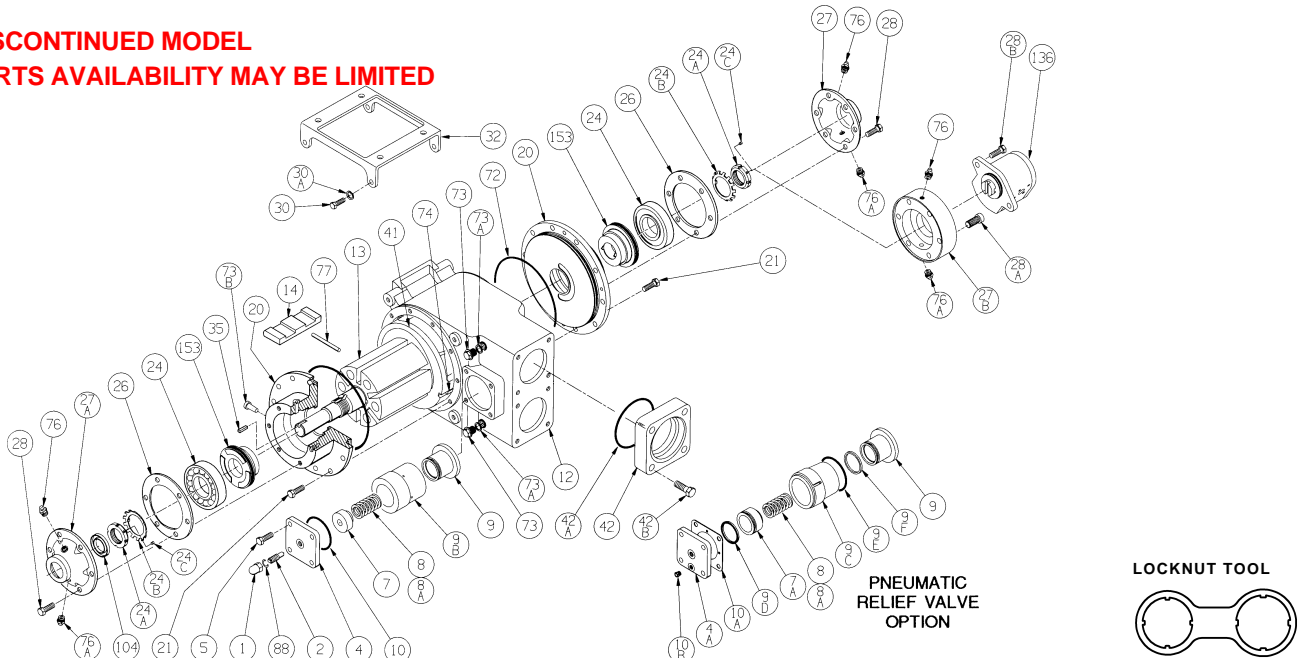
967301
Page 1 of 2

PARTS LIST
201A-A01_jul02

(See Instructions 201A-A00 for Installation, Operation and Maintenance)

Section 200
Effective July 2002
Replaces June 2002

DISCONTINUED MODEL
PARTS AVAILABILITY MAY BE LIMITED



Ref. No.	Description	Parts Per Pump	Part No.	Ref. No.	Description	Parts Per Pump	Part No.
1	Cap – R/V (Std)	1	411452	27	Bearing Cover – Outboard	0 – 1	042227
2	Adjusting Screw – R/V (Std)	1	431800	27A	Bearing Cover – Inboard	1	042225
4	Cover – R/V (Std)*	1	411800	27B	Adapter – Hydraulic Pump	0 - 1	041805
4A	Cover – R/V (AIR)	1	411801	28	Capscrews – Bearing Cover	6 - 12	920127
5	Capscrews – R/V Cover (Std, AIR)	4	920199	28A	Capscrews – Adapter	0 - 6	924049
7	Spring Guide – R/V (Std)*	1	425101	28B	Capscrews – Hydraulic Pump	0 - 2	920199
7A	Spring Guide – R/V (AIR)	1	425102	30	Capscrews – Mounting Bracket	4	924064
8	Spring - R/V (3.9-5.2 bar) (Std, AIR) ¹	1	471621	30A	Lockwasher – Bracket Capscrews	4	909586
8A	Spring - R/V (5.2-8.6 bar)* (Std, AIR) ²	1	471614	32	Mounting Bracket	1	831800
9	Valve – R/V (Std, AIR)	1	455104	35	Key – Shaft	1	909146
9B	Valve Guide – R/V (Std)*	1	425103	41	Liner – ATX300	1	181803
9C	Valve Guide – R/V (AIR)	1	425104	42	Flange – 80mm Weld (Aluminum)	0 - 2	651820
9D	Seal – Spring Guide (AIR)	0 - 1	495025		Flange – 80mm Weld (Cast Steel)	0 - 2	651819
9E	O-Ring – Valve Guide (AIR) (Buna-N)	0 - 1	701939	42A	O-Ring – Flange (Buna-N)	0 - 2	702002
9F	Seal – Valve (AIR)	0 - 1	495023		O-Ring – Flange (PTFE)	0 - 2	702080
10	O-Ring – R/V Cover (Std) (Buna-N)*	1	702014	42B	Capscrews – Flange	0 - 8	924086
	O-Ring – R/V Cover (Std) (PTFE)	1	702224	72	O-Ring – Head (Buna-N)*	2	702122
10A	Gasket – R/V Cover (AIR)	0 - 1	537300		O-Ring – Head (PTFE)	2	702235
10B	Breather Vent – R/V Cover (AIR)	0 - 1	495024	73	Gage Plug	2	908191
12	Casing	1	011800	73A	Gasket – Gage Plug	2	381818
13	Rotor & Shaft (Straight Key)	1	261871	73B	Plug – Weep Hole	4	340000
14	Vane – Duravane	6	094500	74	Key – Liner	1	185191
20	Head	2	031826	76	Grease Fitting	2	317815
21	Capscrews – Head	20	920199	76A	Grease Relief Fitting	2	701992
24	Ball Bearing	2	903172	77	Push Rod – ATX300	3	121810
24A	Locknut – Ball Bearing	2	903582	88	Gasket – R/V Cap	1	701981
24B	Lockwasher – Ball Bearing	2	903524	104	Grease Seal	1	331908
24C	Setscrew – Locknut	2	924060	136	Hydraulic Pump ³ (8 cc/rev.)	0 - 1	889610
26	Gasket – Bearing Cover	2	385125		Hydraulic Pump ³ (11 cc/rev.)	0 - 1	889612
					Tool - Locknut		903091

¹ For Pneumatic Relief Valve (AIR), spring p/n 471621 is 5.2 bar (75 psi) and non-adjustable. STD = Standard Direct Acting Relief Valve.
² For Pneumatic Relief Valve (AIR), spring p/n 471614 is 7.9 bar (115 psi) and non-adjustable. AIR = Optional Pneumatic Actuated Relief Valve.
³ For hose reel drive. * = Standard on pump.

Keep this parts list should be kept with Installation, Operation and Maintenance Instructions

KI Pumps & Systems, Inc., 206 Enterprise Road, P.O. Box 180287,
 TEL (888) 547 8678 FAX (262) 547 8678 info@kipumps.com

Delafield, WI 53018-1768
 www.blackmerpumps.com

MECHANICAL SEAL - OPTIONAL

Ref. No.	Description	Parts Per Pump	Part No.
153	Mechanical Seal Complete - Cast Iron Stationary Seat, Carbon Seal Face, Buna-N O-Rings. *	2	331880
	Mechanical Seal Complete - Cast Iron Stationary Seat, PTFE O-Ring, Carbon Seal Face w/ PTFE Seal Ring.		331873
153D	O-Ring – Stationary (Buna-N)	2	701936
	O-Ring – Stationary (PTFE)		702080
153L	O-Ring – Rotating (Buna-N)	2	711912
	Seal Ring – Rotating (PTFE)		**

* Standard on pump

** PTFE Rotating Seal Ring is not available as a separate part.

