

BLACKMER PARTS LIST

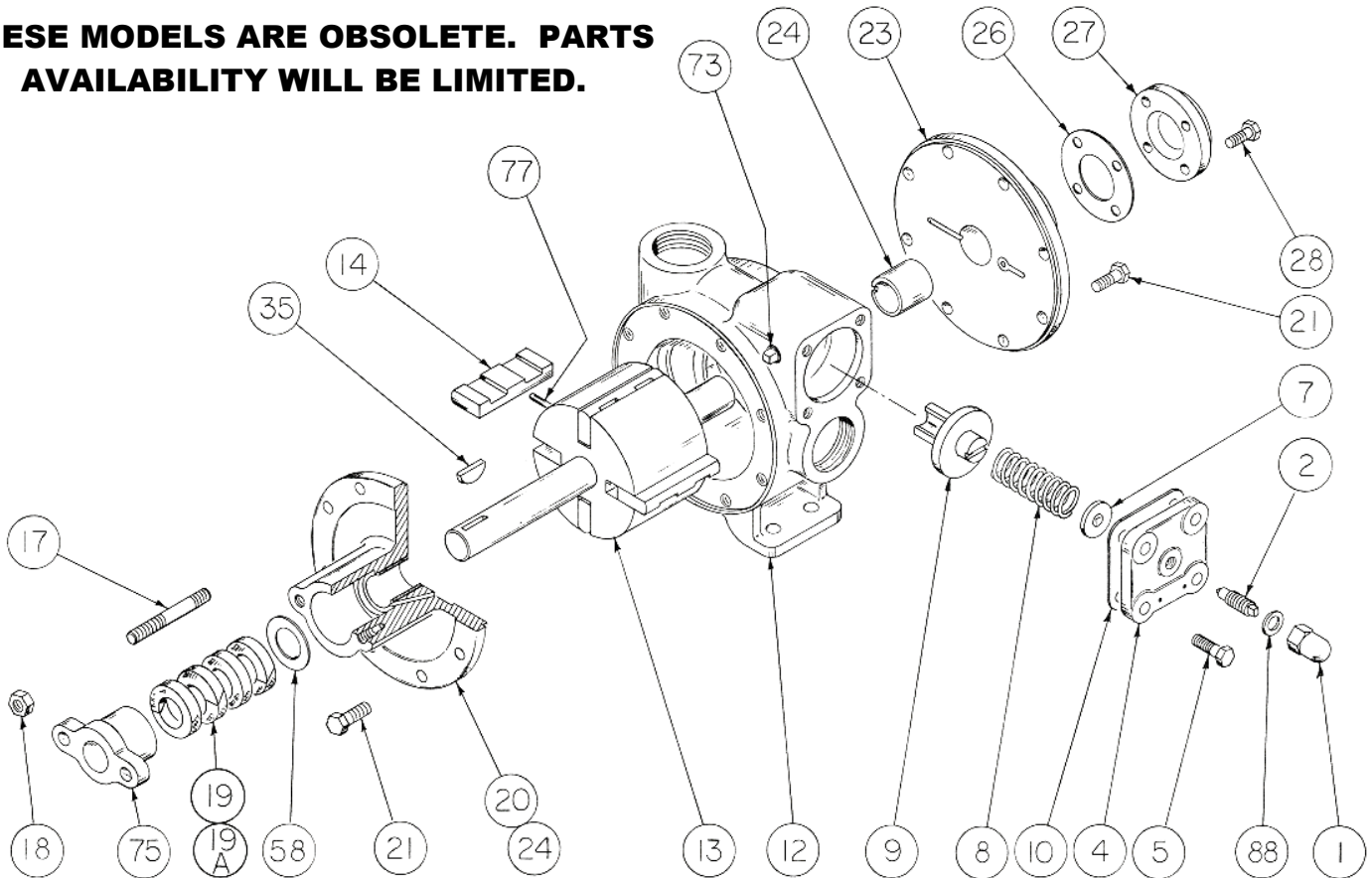
PUMP MODELS: TNP1 1/2

(See Instructions 285/F for Installation, Operation and Maintenance)

960291 **PARTS LIST**
Page 1 of 2 **285/F1**

Section 200
Effective Nov 1988
Replaces Aug 1978

THESE MODELS ARE OBSOLETE. PARTS AVAILABILITY WILL BE LIMITED.



REF. NO.	PART NAME	PARTS PER PUMP	PART NO.	REF. NO.	PART NAME	PARTS PER PUMP	PART NO.
1	Cap - Relief Valve (R/V)	1	411452		Vane - Duravane (Std.)		091219
2	Adjusting Screw - R/V	1	431401		Vane - Laminate		093351
4	Cover - R/V	1	411401	14	Vane - Bronze	4	093326
5	Capscrew - R/V Cover	4	920316		Vane - EC Bronze 2		093328
7	Spring Guide - R/V	1	423955	20	Head & Bushing Asy. - Inboard	1	031252
	Spring - R/V (51-75 psi) (Std.)		471420	21	Capscrews - Head	16	920331
	Spring - R/V (76-100 psi)		471425	23	Head & Bushing Asy. - Outboard	1	031253
	Spring - R/V (101-150 psi)		471430	24	Sleeve Bearing	2	161200
	SS Spring - R/V (51-75 psi) 1	1	471418	26	Gasket - Bearing Cover	1	381215#
	SS Spring - R/V (76-100 psi) 1		471427	27	Bearing Cover	1	041215
	SS Spring - R/V (101-150 psi) 1		471429	28	Capscrews - Bearing Cover	4	920178
9	Valve - R/V	1	451416	35	Key - Shaft	1	909130
10	Gasket - R/V Cover (Fiber)	1	531421#	73	Gage Plug	2	908195
12	Cylinder	1	021203	77	Push Rod	2	123305
	Rotor & Shaft (Std.)		261213	88	Gasket - R/V Cap	1	701981#
13	EC Rotor & Shaft	1	261215		Gasket Repair Kit		891242

Parts Included in Gasket Repair Kit.

1 Optional Stainless Steel Spring (Over 300°F/149°C).

2 Use for viscosities over 20,000 SSU, (4250 Cs). (Indicated by markings on outboard shaft ends and on vanes).

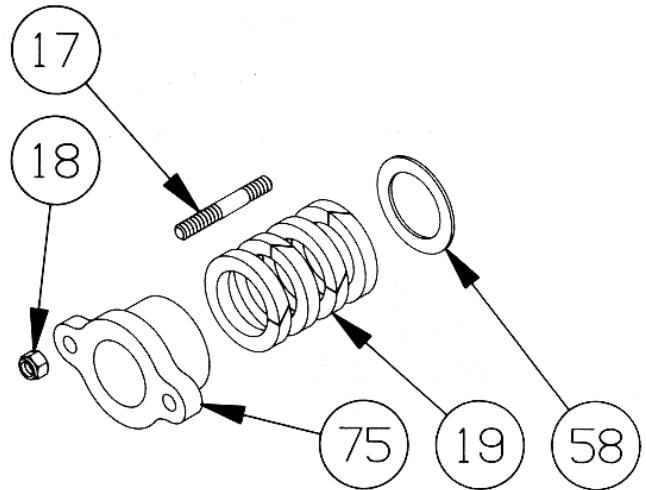
KI Pumps & Systems, Inc.,
TEL (888) 547 8678

206 Enterprise Road, P.O. Box 180287,
FAX (262) 547 8678 info@kipumps.com

Delafield, WI 53018-1768
www.blackmerpumps.com

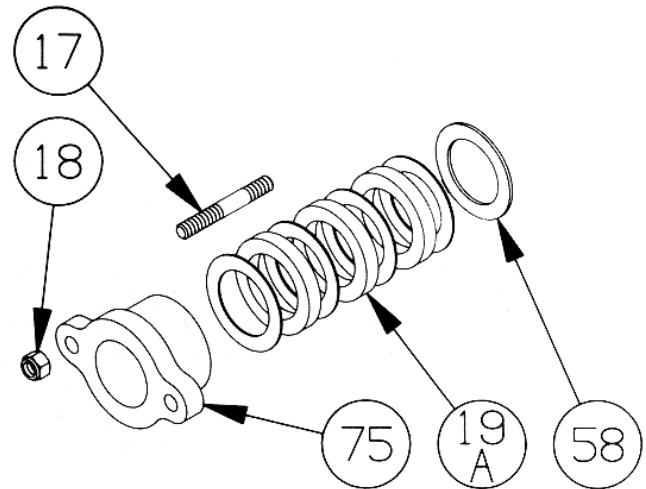
TNP1½ - PACKING - STANDARD

REF. NO.	PART NAME	PARTS PER PUMP	PART NO.
17	Stud - Packing Follower	2	921450
18	Nut - Packing Follower Stud	2	922428
19	Packing	1	323376
58	Pack Washer	1	353307
75	Packing Follower	1	141205



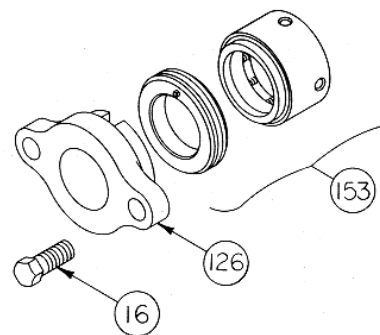
TNP1½ - TEFLON LIP SEAL - OPTIONAL

REF. NO	PART NAME	PARTS PER PUMP	PART NO.
17	Stud - Packing Follower	2	921450
18	Nut - Packing Follower Stud	2	922428
19A	Lip Seal	1	331278
58	Pack Washer	1	353307
75	Packing Follower	1	141205



TNP1½ - MECHANICAL SEAL - OPTIONAL

REF. NO	PART NAME	PARTS PER PUMP	PART NO.
16	Capscrews - Seal Retainer	2	920316
126	Retainer - Seal	1	141206
153	Mechanical Seal (Crane #9)	1	331276



blackmer

A DOVER RESOURCES COMPANY

KI Pumps & Systems, Inc.,
TEL (888) 547 8678

206 Enterprise Road,
FAX (262) 547 8678

P.O. Box 180287,
info@kipumps.com

Delafield, WI 53018-1768
www.blackmerpumps.com