

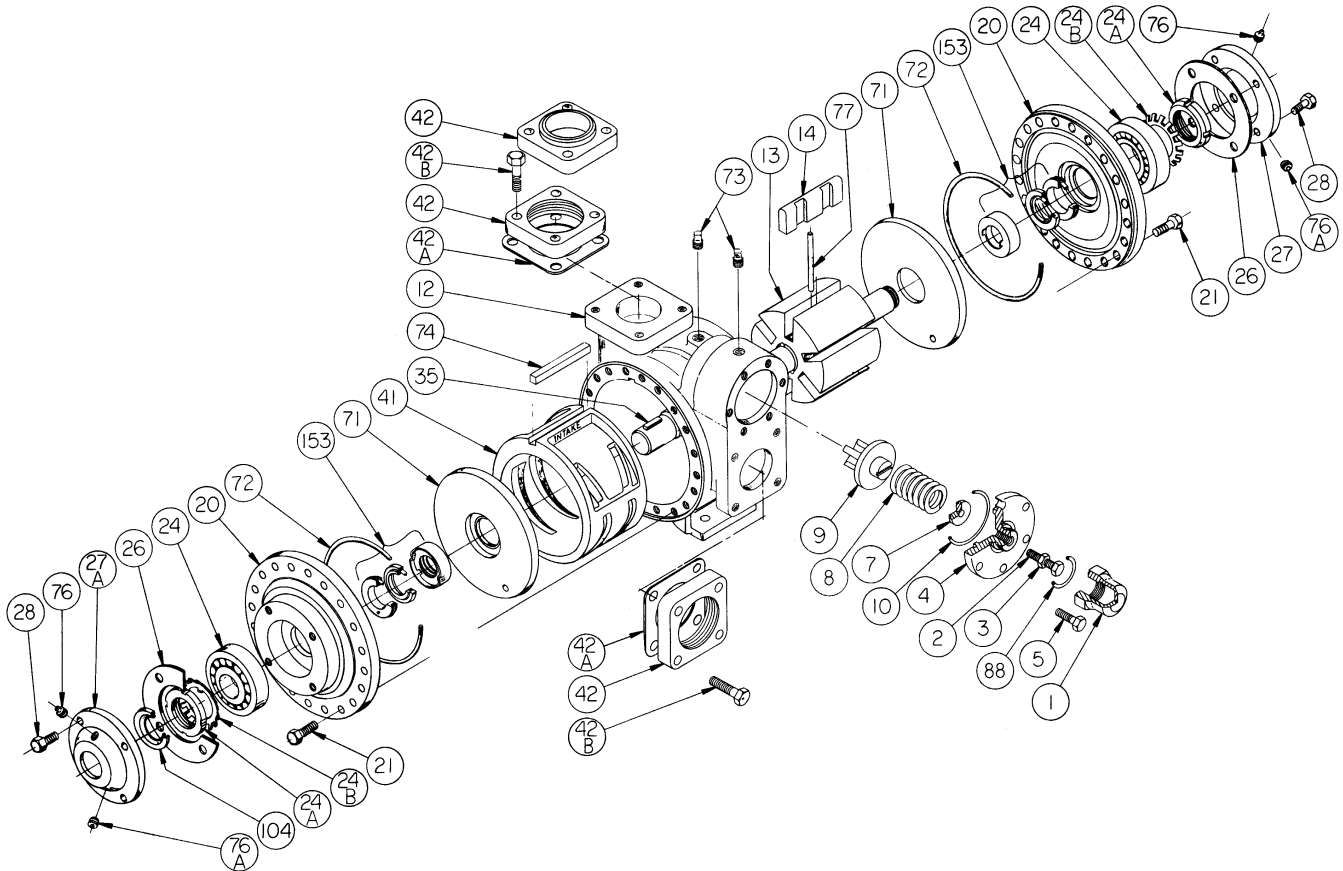
BLACKMER PARTS LIST

DISCONTINUED PUMP MODELS: TXLW2, TXLW3

(See Instructions 285/J for Installation, Operation and Maintenance)

963913 **PARTS LIST**
Page 1 of 2 **285/J1-9512**

Section 200
Effective Dec 1995
Replaces May 1992



Ref. No.	Description	Parts per Pump	Size 2 Part No.	Size 3 Part No.	Ref. No.	Description	Parts per Pump	Size 2 Part No.	Size 3 Part No.
1	Cap – Relief Valve (R/V)	1	414402	414402	24B	Lockwasher – Bearing	2	903522	903524
2	Adjusting Screw – R/V	1	433905	435109	26	Gasket – Bearing Cover	2	381406	381817
3	Locknut – Adjusting Screw	1	922923	922923	27	Bearing Cover – Outboard	1	041433	041817
4	Cover – R/V	1	414408	415109	27A	Bearing Cover – Inboard	1	041431	041815
5	Capscrew – R/V Cover	6	920316	920331	28	Capscrews – Bearing Cover	8-12	920285	920285
7	Spring Guide – R/V	1	424401	425109	35	Key – Shaft	1	909130	909130
8	Spring – R/V (51-75 psi) (Std.)	1	471425	471612	41	Liner	1	183913	185116
	Spring – R/V (76-110 psi)		471428	471621	42	Flange – NPT	2	654411	651803
9	Valve – R/V	1	454405	455109		Flange – Weld		654405	655106
10	O-Ring – R/V Cover (FKM) (Std.)	1	711929	701924	42A	Gasket – Flange	2	381421	381811
	O-Ring – R/V Cover (PTFE)		702077	702079	42B	Capscrew – NPT Flange	8	920351	920532
12	Casing	1	014405	015127		Capscrew – Weld Flange		920351	920510
13	FS Rotor & Shaft Asy. (Std.) (Includes Ref. Nos. 24A & 24B)	1	263923	265204	71	Disc	2	063900	065114
	EC Rotor & Shaft Asy. (-.045) (Includes Ref. Nos. 24A & 24B)		263927	265143	72	O-Ring – Head (FKM) (Std.)	2	702045	711938
						O-Ring – Head (PTFE)		702081	702082
14	Vane – EC Laminate (Std.)	6	091429	095107	73	Gage Plug	2	908198	908198
	Vane – EC Hardened Iron		093931	095129	74	Key – Liner	1	184407	185191
20	Head	2	034416	035128	76	Grease Fitting	2	317815	317815
21	Capscrews – Head	32-40	920351	920369	76A	Grease Relief Fitting	2	701992	701992
24	Ball Bearing	2	903156	903166	77	Push Rod	3	123905	125105
24A	Locknut – Bearing	2	903521	903523	88	O-Ring – R/V Cap (Buna-N)	1	711917	711917
					104	Grease Seal	1	331918	331908

EC = Extra Clearance FS = Full Size
Keep this parts list with Installation, Operation and Maintenance Instructions.

KI Pumps & Systems, Inc., 206 Enterprise Road, P.O. Box 180287,
TEL (888) 547 8678 FAX (262) 547 8678 info@kipumps.com

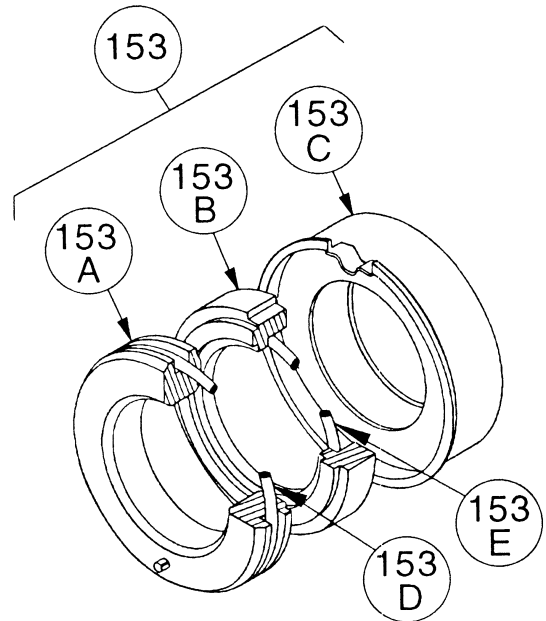
Delafield, WI 53018-1768
www.blackmerpumps.com

MECHANICAL SEAL - STANDARD

Ref. No.	Part Name	Parts Per Pump	Size 2 Part No.	Size 3 Part No.
153	Mechanical Seal Assembly (LVSV)	2	333919	335147
153A	Stationary Seat (Silicon Carbide)	2	334422	335141
153B	Seal Face (Hardened Steel)	2	333917	335144
153C	Jacket Assembly	2	331651	335128
153D	O-Ring – Stationary (FKM)	2	701970	702015
153E	O-Ring – Rotating (FKM)	2	701980	701962

MECHANICAL SEAL - OPTIONAL

Ref. No.	Part Name	Parts Per Pump	Size 2 Part No.	Size 3 Part No.
153	Mechanical Seal Assembly (LVLV)	2	333921	335149
153A	Stationary Seat (Silicon Carbide)	2	334422	335141
153B	Seal Face (Silicon Carbide)	2	333916	335198
153C	Jacket Assembly	2	331651	335128
153D	O-Ring – Stationary (FKM)	2	701970	702015
153E	O-Ring – Rotating (FKM)	2	701980	701962



MECHANICAL SEAL - OPTIONAL

Ref. No.	Part Name	Parts Per Pump	Size 2 Part No.	Size 3 Part No.
153	Mechanical Seal Assembly (LAST)	2	333922	335150
153A	Stationary Seat (Silicon Carbide)	2	334422	335141
153B	Seal Face (Hardened Steel)	2	333917	335144
153C	Jacket Assembly	2	331651	335128
153D	Seal Ring – Stationary (PTFE)	2	702084	711999
153E	Seal Ring – Rotating (PTFE)	2	711963	701963

MECHANICAL SEAL - OPTIONAL

Ref. No.	Part Name	Parts Per Pump	Size 2 Part No.	Size 3 Part No.
153	Mechanical Seal Assembly (LTLT)	2	333925	335161
153A	Stationary Seat (Silicon Carbide)	2	334422	335141
153B	Seal Face (Silicon Carbide)	2	333916	335198
153C	Jacket Assembly	2	331651	335128
153D	Seal Ring – Stationary (PTFE)	2	702084	711999
153E	Seal Ring – Rotating (PTFE)	2	711963	701963

