

BLACKMER PARTS LIST

PUMP MODELS: TX400B

DISCONTINUED MODEL: TX400A

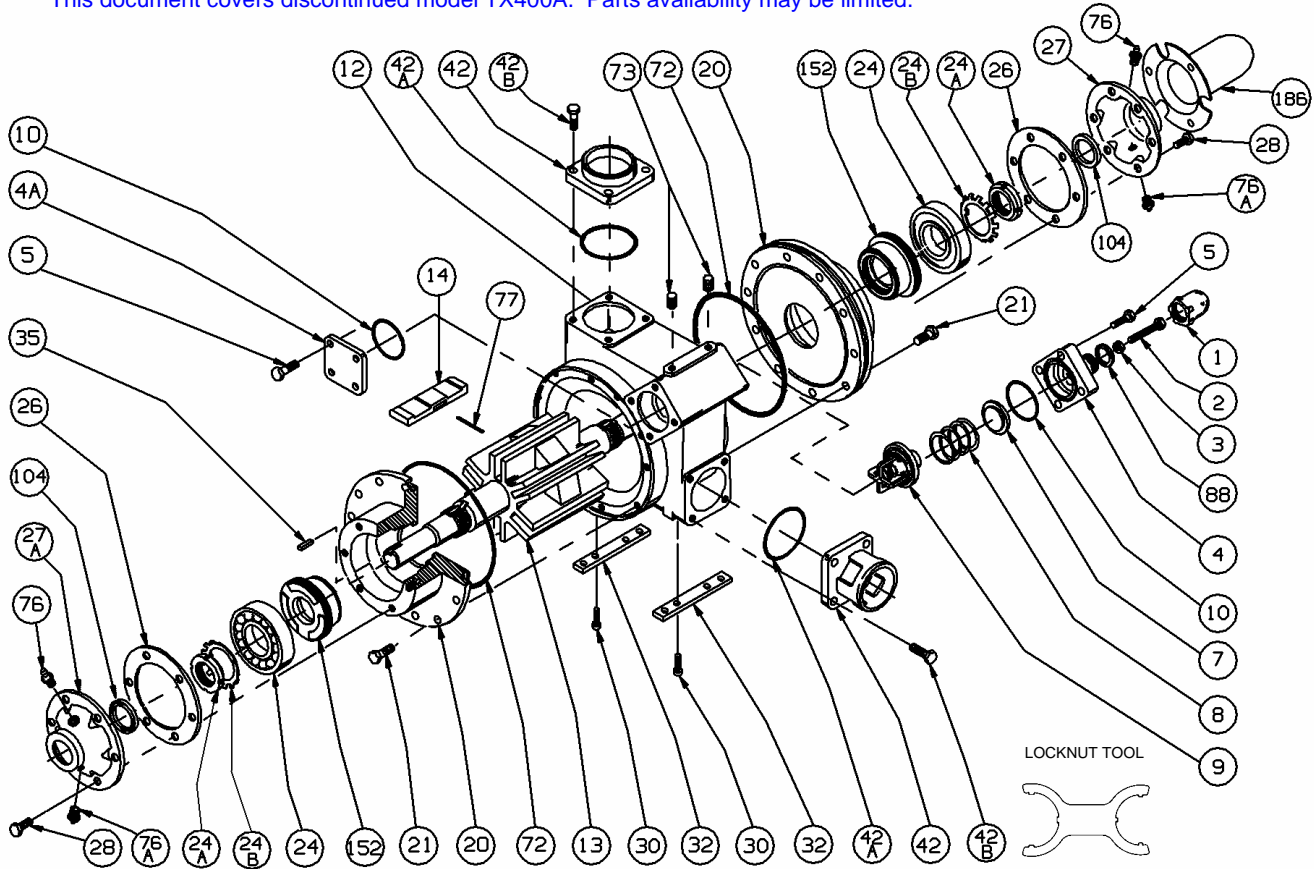
(See Instructions 205-A00 for Installation, Operation and Maintenance)

This document covers discontinued model TX400A. Parts availability may be limited.

961905
Page 1 of 2

PARTS LIST
205-A02_0411

Section	205
Effective	Nov 2004
Replaces	Jan 2003



Ref. No.	Description	Parts per Pump	Part No.	Ref. No.	Description	Parts per Pump	Part No.
1	Cap - Relief Valve (R/V)	1	413952	26	Gasket - Bearing Cover	2	381817
2	Adjusting Screw - R/V	1	435109	27	Bearing Cover - Outboard	0 - 1	041817
3	Locknut - Adjusting Screw	1	922923	27A	Bearing Cover - Inboard	1 - 2	041815
4	Cover - R/V	1	411868	28	Capscrews - Bearing Cover	12	920285
4A	Blanking Plate - R/V	1	411905	30	Capscrews - Foot Bracket	4	920466
5	Capscrew - R/V Cover /Blanking Plate	8	920381	32	Foot Bracket	2	832200
7	Spring Guide - R/V	1	426907	35	Key - Shaft	1	909178
8	Spring - R/V (35-75 psi)	1	471900	42	Flange - 3" Weld	1	652007
	Spring - R/V (76-110 psi)		471832	Flange - 4" Weld	652005		
	Spring - R/V (111-125 psi)		476908	O-Ring - Flange (Buna-N)	701937		
	SS Spring - R/V (35-75 psi)		471901	O-Ring - Flange (FKM)	2	701968	
	SS Spring - R/V (76-110 psi)		471834	O-Ring - Flange (PTFE)	702101		
	SS Spring - R/V (111-125 psi)		476910	42B	Capscrews - Flange	8	920640
9	Valve Assembly - R/V	1	451900		O-Ring - Head (Buna-N)		701944
10	O-Ring - R/V Cover/ Blanking Plate Buna-N)	2	701936	72	O-Ring - Head (FKM)	2	711938
	O-Ring - R/V Cover/ Blanking Plate FKM)		711931	O-Ring - Head (PTFE)	702233		
	O-Ring - R/V Cover/ Blanking Plate (PTFE)		702080	73	Gage Plug	2	908198
12	Cylinder	1	021900	76	Grease Fitting	2	317815
13	Rotor & Shaft (Dbl Ended) (Includes 24A & 24B)	1	261910	76A	Grease Relief Fitting	2	701992
			091915	77	Push Rod	3	121900
14	Vane - Duravane	6	091918	88	Gasket - R/V Cap	1	533908
	Vane - Laminate		091918	104	Grease Seal	2	331908
20	Head	2	031815	186	Shaft Protector	1	341801
21	Capscrews - Head	20	920369	152	Lip Seal Assy.	2	See Back
24	Ball Bearing	2	903172		Tool - Locknut		903091
24A	Locknut - Bearing	2	903523				
24B	Lockwasher - Bearing	2	903524				

Keep this parts list with Installation, Operation and Maintenance Instructions.

KI Pumps & Systems, Inc.,
TEL (888) 547 8678

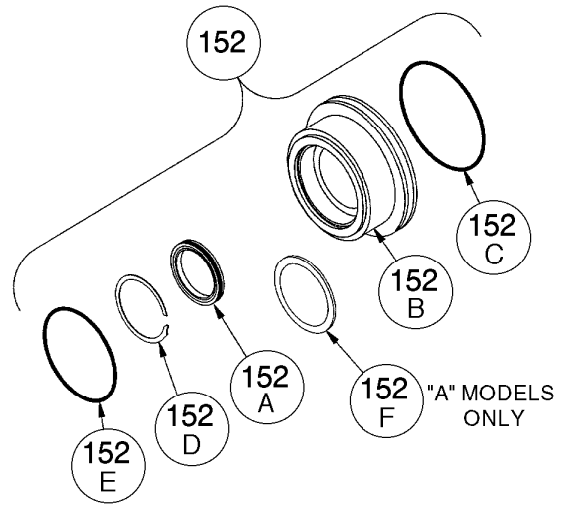
206 Enterprise Road, P.O. Box 180287,
FAX (262) 547 8678 info@kipumps.com

Delafield, WI 53018-1768
www.blackmerpumps.com

LIP SEAL - STANDARD

Ref. No.	Part Name	Parts Per Pump	TX400B Part No.	TX400A Part No.
152	Lip Seal Complete - Lip Seal, Housing w/ Buna-N O-Rings.	2	331760	331751
	Lip Seal Complete - Lip Seal, Housing w/ FKM O-Rings.		331761	331755
	Lip Seal Complete - Lip Seal, Housing w/ PTFE O-Rings.		331762	331753
152A	Lip Seal w/FKM O-Ring	2	331763	331856
	Lip Seal w/PTFE O-Ring		331764	331752
152B	Housing - Lip Seal	2	331877	331877
152C	Outer O-Ring - Housing (Buna-N)	2	701936	701936
	Outer O-Ring - Housing (FKM)		711931	711931
	Outer O-Ring - Housing (PTFE)		702080	702080
152D	Retaining Ring - Lip Seal	2	903561	903561
152E	Inner O-Ring - Housing (Buna-N)	2	702004	702004
	Inner O-Ring - Housing (FKM)		702086	702086
	Inner O-Ring - Housing (PTFE)		702078	702078
152F	Spacer Washers*	0 - 8	NONE	331754

* Spacer washers (152F) are used for Discontinued TX400A models only



MECHANICAL SEAL - OPTIONAL

Ref. No.	Part Name	Parts Per Pump	Part No.
153	Mechanical Seal Complete - SS Stationary Seat, PTFE O-Ring, Carbon Seal Face w/ PTFE Seal Ring. (WACT)	2	331899
	Mechanical Seal Complete - Cast Iron Stationary Seat, Carbon Seal Face, Buna-N O-Rings. (INCN)		331880
	Mechanical Seal Complete - Cast Iron Stationary Seat, Carbon Seal Face, FKM O-Rings. (IVCV)		331883
	Mechanical Seal Complete - Cast Iron Stationary Seat, Bronze Seal Face, FKM O-Rings. (IVBV)		331881
	Mechanical Seal Complete - Cast Iron Stationary Seat, PTFE O-Ring, Carbon Seal Face w/ PTFE Seal Ring. (IACT)		331873
153D	O-Ring - Stationary (FKM)	2	711931
	O-Ring - Stationary (PTFE)		702080
153L	O-Ring - Rotating (FKM)	2	701962
	Seal Ring - Rotating (PTFE)		**

** PTFE Rotating Seal Ring is not available as a separate part.

