

BLACKMER PUMP PARTS LIST

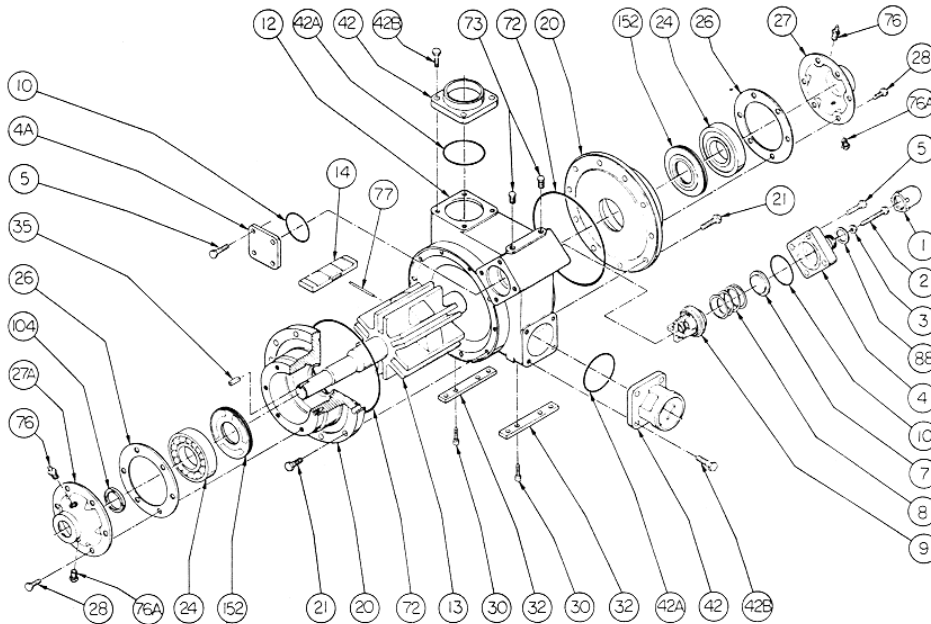
TRANSMAX MODEL: TX-400

(See Instructions 285/K for Operation and Maintenance)

DISCONTINUED MODEL

961903
PARTS LIST NO. 285/ZK9

Section	200
Effective	June 1993
Replaces	November 1992



*These models are obsolete.
Parts availability will be limited.*

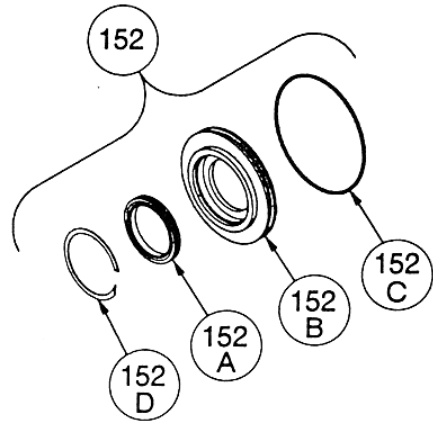
REF. NO.	PART NAME	PARTS PER PUMP	PART NO.	REF. NO.	PART NAME	PARTS PER PUMP	PART NO.
1	Cap - Relief Valve (R/V)	1	413952	21	Capscrews - Head	20	920369
2	Adjusting Screw - R/V	1	431900	24	Ball Bearing	2	903172
3	Locknut - Adjusting Screw	1	922923	26	Gasket - Bearing Cover	2	385125
4	Cover - R/V	1	411868	27	Bearing Cover - Outboard	1	041817
4A	Blanking Plate - R/V	1	411905	27A	Bearing Cover - Inboard	1	041815
5	Capscrew - R/V Cover /Blanking Plate	8	920381	28	Capscrews - Bearing Cover	12	920285
7	Spring Guide - R/V	1	426907	30	Capscrews - Foot Bracket	4	920466
8	Spring - R/V (76-110 psi) (Std.- 400, 420, 430)	1	471832	32	Foot Bracket	2	832200
	Spring - R/V (111-125 psi)		476908	35	Key - Shaft	1	909178
	SS Spring - R/V (76-110 psi) (Std.- 410)		471834	42	Flange - 3" Weld	1	652007
	SS Spring - R/V (111-125 psi)		476910		Flange - 4" Weld	1	652005
9	Valve Assembly - R/V	1	451900	42A	O-Ring - Flange (Buna-N)(Std.- 400,420)	2	701937
10	O-Ring - R/V Cover/ Blanking Plate (Buna-N) (Std.- 400, 420)	2	701936		O-Ring - Flange (Viton) (Std.- 430)		701968
	O-Ring - R/V Cover/ Blanking Plate (Viton) (Std.- 430)		711931		O-Ring - Flange (Teflon) (Std.- 410)		702101
	O-Ring - R/V Cover/ Blanking Plate (Teflon) (Std.- 410)		702080	42B	Capscrews - Flange	8	920640
12	Cylinder (Std.- 400, 430)	1	021900	72	O-Ring - Head (Buna-N) (Std.- 400, 420)	2	701944
	Cylinder - Plated (Std.- 410, 420)		021901		O-Ring - Head (Viton) (Std.- 430)		711938
13	Rotor & Shaft (Std.- 400, 430)	1	261906		O-Ring - Head (Teflon) (Std.- 410)		702233
	Rotor & Shaft - Hardened (Std.- 420)		261908	73	Gage Plug	2	908198
	Rotor & Shaft - Plated (Std.- 410)		261907	76	Grease Fitting	2	317815
14	Vane - Duravane (Std.- 400, 410)	6	091915	76A	Grease Relief Fitting	2	701992
	Vane - Laminate (Std.- 420)		091918	77	Push Rod	3	121900
	Vane - Bronze (Std.- 430)		091916	88	Gasket - R/V Cap	1	533908
20	Head (Std.- 400, 430)	2	031815	104	Grease Seal	1	331908
	Head - Plated (Std.- 410, 420)		031901	152	Lip Seal Assembly (Std.- 400, 420, 430)	2	See Backside

NOTE: Viton and Teflon are Registered Trademarks of the E.I. DuPont Company.

PARTS LIST NO. 285/ZK10

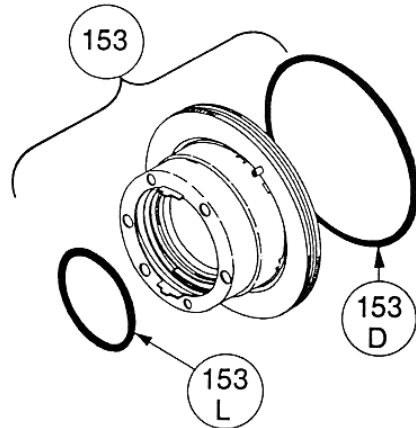
LIP SEAL - STANDARD

REF. NO.	PART NAME	PARTS PER PUMP	PART NO.
152	Lip Seal Complete - Lip Seal, Housing w/ Buna-N O-Ring. (Std. 400, 420)	2	331858
	Lip Seal Complete - Lip Seal, Housing w/ Viton O-Ring. (Std.- 430)		331852
	Lip Seal Complete - Lip Seal, Housing w/ Teflon O-Ring.		331875
152A	Lip Seal	2	331856
152B	Housing - Lip Seal	2	331857
152C	O-Ring - Housing (Buna-N)	2	701936
	O-Ring - Housing (Viton)		711931
	O-Ring - Housing (Teflon)		702080
152D	Retaining Ring - Lip Seal	2	903561



MECHANICAL SEAL - OPTIONAL

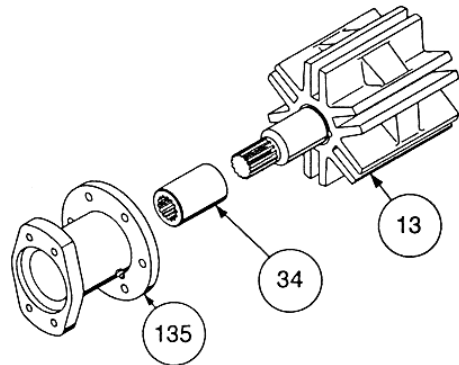
REF. NO.	PART NAME	PARTS PER PUMP	PART NO.
153	Mechanical Seal Complete - SS Stationary Seat, Teflon O-Ring, Carbon Seal Face w/ Teflon Seal Ring. (Std. - 410)	2	331899
	Mechanical Seal Complete - Cast Iron Stationary Seat, Carbon Seal Face, Viton O-Rings.		331883
	Mechanical Seal Complete - Cast Iron Stationary Seat, Bronze Seal Face, Viton O-Rings.		331881
	Mechanical Seal Complete - Cast Iron Stationary Seat, Teflon O-Ring, Carbon Seal Face w/ Teflon Seal Ring.		331873
153D	O-Ring - Stationary (Viton)	2	711931
	O-Ring - Stationary (Teflon)		702080
153L	O-Ring - Rotating (Viton)	2	701962
	Seal Ring - Rotating (Teflon)		**



** Teflon Rotating Seal Ring is not available as a separate part.

OPTIONAL HYDRAULIC ADAPTER PARTS

REF. NO.	PART NAME	PARTS PER PUMP	PART NO.
13	Splined Rotor & Shaft	1	261915
	Splined Rotor & Shaft - Hardened		261917
	Splined Rotor & Shaft - Plated		261916
34	Splined Coupling (motor to pump)	1	906009
135	Hydraulic Motor Adapter	1	041801



blackmer

A **DOVER** RESOURCES COMPANY