

# BLACKMER PARTS LIST

PUMP MODELS: LGLD2E, LGL2E, LGLD3E, LGL3E  
**DISCONTINUED MODELS: TLGLD2E, TLGLD3E**

(See Instructions 501-C00 for Installation, Operation and Maintenance)

960418

Page 1 of 2

**PARTS LIST**

**501-C01\_0608**

Section 501

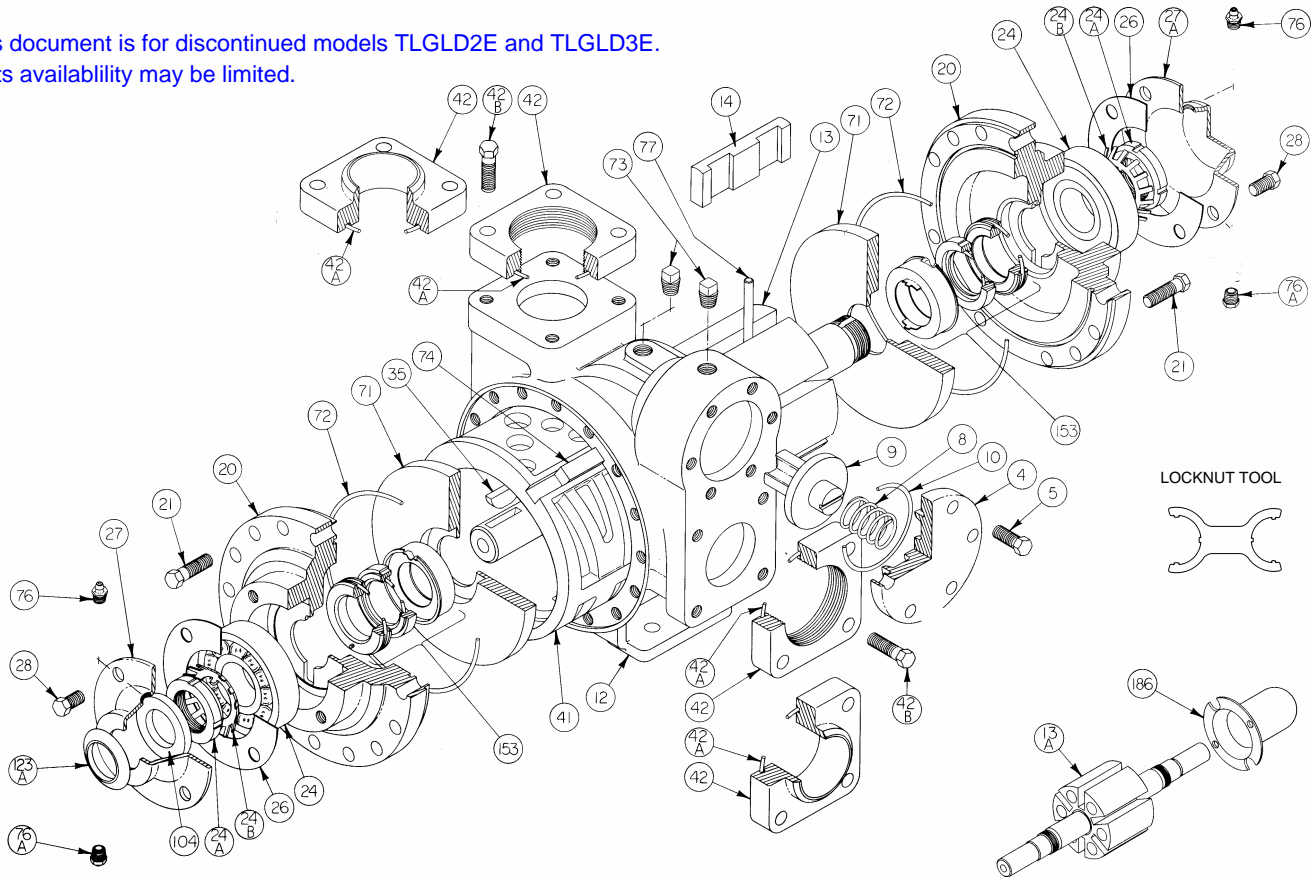
Effective

Aug 2006

Replaces

Mar 2005

This document is for discontinued models TLGLD2E and TLGLD3E.  
 Parts availability may be limited.



Ref. No.	Description	Parts Per Pump	Size 2 Part No.	Size 3 Part No.	Ref. No.	Description	Parts Per Pump	Size 2 Part No.	Size 3 Part No.
4	Cover - Relief Valve (R/V)	1	414401	415113	35	Key - Shaft	1	<sup>1</sup> 909130	<sup>1</sup> 909130
5	Capscrews - R/V Cover	6	920331	920331	41	Liner	1	<sup>2</sup> 184405	<sup>2</sup> 185111
8	Spring - R/V	1	471423	475135	42	Flange - NPT	2	654401	655112
9	Valve - R/V (Std.)	1	454405	455129	42	Flange - Weld	2	654405	655102
	Valve - R/V (Nickel Plated)		454406	455100		42A		O-Ring - Flange	2
10	O-Ring - R/V Cover	1	<sup>1</sup> 701919	<sup>1</sup> 701925	42B	Capscrew - NPT Flange	8	920384	920547
12	Casing	1	014405	015127		Capscrew - Weld Flange		920351	920510
13	Rotor & Shaft Asy. - LGL (Includes Ref. Nos. 24A & 24B)	1	264443	265149	71	Disc	2	<sup>1</sup> 064412	<sup>1</sup> 065112
13A	Rotor & Shaft Asy. - LGLD, TLGLD <sup>5</sup> (Includes Ref. Nos. 24A & 24B)	1	<sup>2</sup> 264445	<sup>2</sup> 265148	72	O-Ring - Head	2	<sup>1</sup> 702022	<sup>1</sup> 702041
14	Vane - Duravane (Std.)	6	<sup>1</sup> 091419	<sup>1</sup> 095131	73	Gage Plug	2	908198	908198
20	Head	2	034416	035128	74	Key - Liner	1	<sup>2,6</sup> 183991	<sup>2</sup> 185191
21	Capscrews - Head (Size 2)	32	920351	N/A	76	Grease Fitting	2	317815	317815
	Capscrews - Head (Size 3)	40	N/A	920369	76A	Grease Relief Fitting	2	701992	701992
24	Ball Bearing	2	<sup>1</sup> 903156	<sup>1</sup> 903172	77	Push Rod	3	<sup>1</sup> 123905	<sup>1</sup> 125105
24A	Locknut - Bearing	2	<sup>2</sup> 903521	<sup>2</sup> 903523	104	Grease Seal	1	<sup>1,3</sup> 331918	<sup>1,3</sup> 331908
24B	Lockwasher - Bearing	2	<sup>1</sup> 903522	<sup>1</sup> 903524	123A	Dirt Shield	1	<sup>1,3</sup> 701480	N/A
26	Gasket - Bearing Cover	2	<sup>1</sup> 383940	<sup>1</sup> 385125	186	Shaft Protector (LGLD, TLGLD Models Only)	1	341601	341801
27	Bearing Cover (Inboard) <sup>3</sup>	1	041431	041815	—	Tool - Locknut	—	903091	903091
27A	Bearing Cover (Outboard) <sup>4</sup>	1	041433	041817	—	Kit - Maintenance	—	898979	898981
28	Capscrews - Bearing Cover	8 - 12	920285	920285	—	Kit - Rebuild	—	899079	899081

<sup>1</sup> Included in Maintenance Kit and Rebuild Kit

<sup>2</sup> Included in Rebuild Kit

The following applies to double end shaft pump models LGLD2E, TLGLD2E, LGLD3E & TLGLD3E: <sup>3</sup> Use Two <sup>4</sup> Use None

<sup>5</sup> Double-Ended Rotor & Shaft. <sup>6</sup> Pump models before 1995 require key 184407.

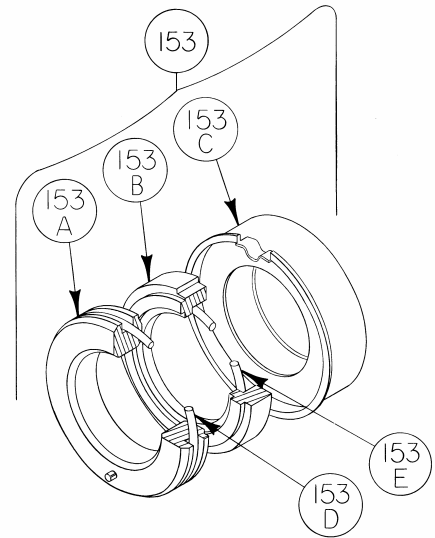
Keep this parts list with Installation, Operation and Maintenance Instructions.

**MECHANICAL SEAL – NH<sub>3</sub> OR DUAL SERVICE – SNCN (ID Code = QA)**

Ref. No.	Part Name	Parts Per Pump	Size 2 Part No.	Size 3 Part No.
153	Mechanical Seal Assembly	2	<sup>1</sup> 334439	<sup>1</sup> 335225
153A	Stationary Seat (Steel)	2	**	**
153B	Seal Face (Carbon)	2	**	**
153C	Jacket Assembly	2	**	**
153D	O-Ring - Stationary (Buna-N)	2	711924	702025
153E	O-Ring Rotating (Buna-N)	2	711918	711912

<sup>1</sup> Included in Maintenance Kit and Rebuild Kit

\*\* NOTE: Mechanical Seal Ref. No. 153 is only sold as a complete assembly. Ref. Nos. 153A, 153B & 153C are not available as separate replacement parts.



**OPTIONAL HYDRAULIC MOTOR ADAPTER PARTS**

Ref. No.	Part Name	Parts Per Pump	Size 2 Part No.	Size 3 Part No.
See Below	<b>Hydraulic Motor Adapter Kit *</b>	See Below	894425	895140
26A	Gasket- Hydraulic Motor Adapter	1	383940	381817
28A	Capscrew – Hydraulic Motor Adapter / Head	4 / 6	920369	920369
34	Coupling w/ Setscrew – 1.25" straight key hydraulic motor shaft	1	906967	906967
35	Key – Coupling	1	909184	909184
76	Grease Fitting	1	317185	317815
76A	Grease Relief Fitting	1	701992	701992
135	Hydraulic Motor Adapter – SAE A Flange	1	041827	041831
135A	Capscrew – Adapter / Motor	2	920510	920510

\* Hydraulic Motor Adapter Kits shipped prior to Spring 2002 were of a two piece design – refer to page 206-C00.

