

BLACKMER PUMP PARTS LIST

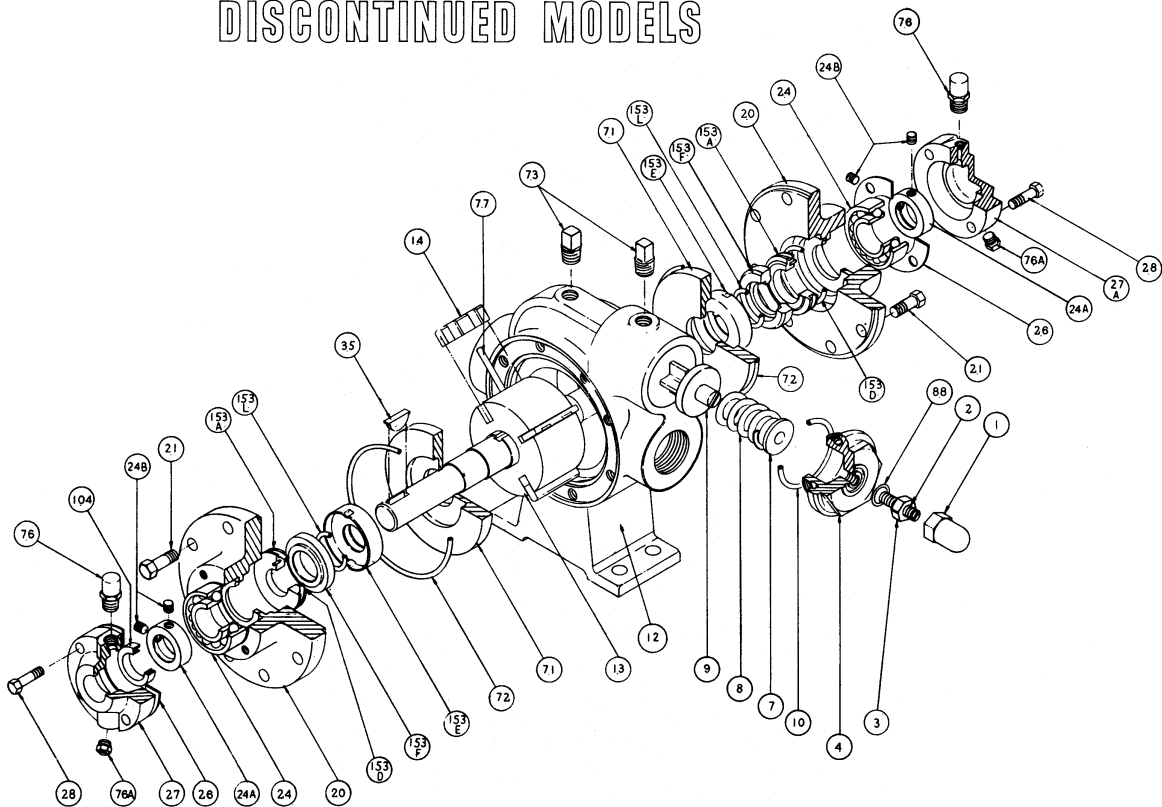
MODELS: LG1¼ C, LG1½ C,

(See Instructions 585/ZB for Operation and Maintenance)

DISCONTINUED MODELS

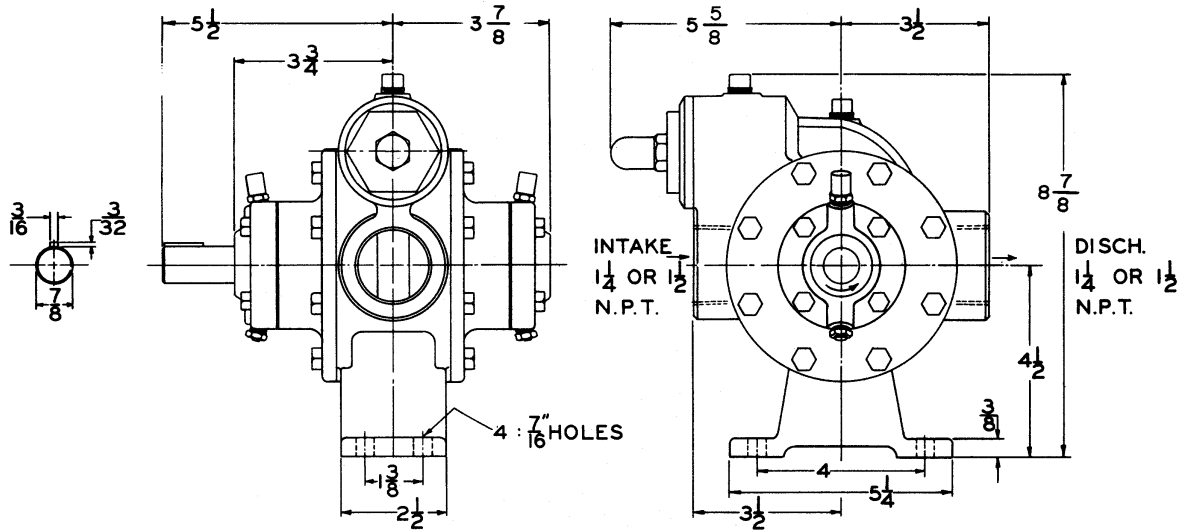
960406
PARTS LIST NO. 585/ZB1

Section 500
Effective February 1982
Replaces January 1980



REF. NO.	PART NAME	NO. PARTS PER PUMP	PART NO.	REF. NO.	PART NAME	NO. PARTS PER PUMP	PART NO.
1	Valve Cap	1	413200	72	"O" Ring - Head	2	701918
2	Adjusting Screw	1	433909	73	Gage Plug	2	908195
3	Locknut	1	922923	76	Grease Fitting	2	317815
4	Valve Cover	1	413075	76A	Grease Relief Fitting	2	701992
7	Spring Guide	1	423955	77	Push Rod - 1¼	2	123076
8	Valve Spring (125 PSI)	1	471428		Push Rod - 1½		123401
9	Relief Valve	1	453077	88	"O" Ring - Valve Cap	1	701949
10	"O" Ring - Valve Cover	1	711924	104	Grease Seal	1	331927
12	Cylinder - 1¼	1	023075	MECHANICAL SEALS			
	Cylinder - 1½		023375	153	Mechanical Seal complete-Buna N	2	333045
13	Rotor & Shaft	1	263075	153A	Stationary Seat - Steel	2	333061
14	Vane - Duravane	4	093088	153D	"O" Ring - Stationary-Buna N	2	711916
20	Head	2	033070	153E	Seal Jacket Assembly	2	333057
21	Head Capscrew	16	920276	153F	Seal Face - Carbon	2	333053
24	Bearing	2	903114	153L	"O" Ring - Rotating-Buna N	2	711915
24A	Bearing Thrust Collar	2	703075	MECHANICAL SEALS - MAPP Gas			
24B	Thrust Collar Set Screw	4	922079	153	Mechanical Seal complete-Viton	2	333044
26	Bearing Cover Gasket	2	383075	153A	Stationary Seat - Steel	2	333061
27	Bearing Cover (in board)	1	043075	153D	"O" Ring - Stationary-Viton	2	711908
27A	Bearing Cover (outboard)	1	043077	153E	Seal Jacket Assembly	2	333057
28	Bearing Cover Capscrew	8	920080	153F	Seal Face - Carbon	2	333053
35	Shaft Key	1	909125	153L	"O" Ring - Rotating-Viton	2	701971
71	Disc	2	063075		Pump Repair Kit		893050

PUMP DIMENSIONS



blackmer / A **DOVER** COMPANY