

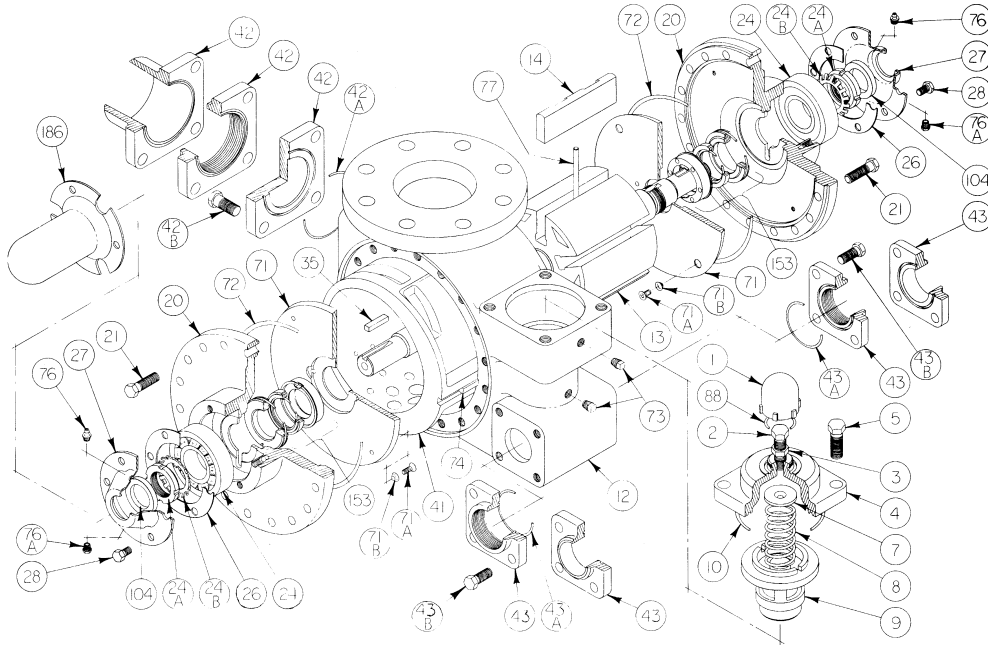
# BLACKMER PUMP PARTS LIST

## MODELS: TLGFD4, TLGLF4

(See Instructions 585/ZG for Operation and Maintenance)

960432  
PARTS LIST NO. 585/ZG3

Section Effective Replaces	500 May 1985 April 1983
----------------------------	-------------------------------



### DISCONTINUED MODELS

REF. NO.	PART NAME	NO. PARTS PER PUMP	PART NO. TLGFD4	PART NO. TLGLF4	REF. NO.	PART NAME	NO. PARTS PER PUMP	PART NO. TLGFD4	PART NO. TLGLF4
1	Valve Cap	1	413952	413952	<b>AUXILIARY INTAKE OPTIONS</b>				
2	Adjusting Screw	1	436307	436307					
3	Locknut	1	436355	436355	42	Flange, 3" NPT	1	652001	652012
4	Valve Cover	1	412005	412001		Flange, 4" Weld		652005	652005
5	Cover Capscrews	4	920663	920663		Flange, 3" Weld		652007	652007
7	Spring Guide	1	426355*	426355*		Flange, Blank		652013	652000
8	Valve Spring	1	476304*	472039*	42A	"O" Ring, Inlet Flange	1	701937*	701937*
9	Relief Valve	1	452001*	452001*	42B	Inlet Flange Capscrew	4	920640	920663
10	"O" Ring, Valve Cover	1	701946*	701946*	<b>TWIN DISCHARGE PORT OPTIONS</b>				
12	Cylinder	1	022013	—					
	Casing		—	012039	—	43	Flange, 2" NPT	2	652010
13	Rotor & Shaft Assy.	1	262022	262022		Flange, 2" Weld	652011		652011
14	Vane-Duravane	6	092019*	092019*	43A	"O" Ring, 2" Flange	2	701919*	701919*
	Vane-Laminate		092026	092026	43B	Discharge Flange Capscrew	8	920491	920491
20	Head	2	032006	032039	71	Disc	2	062003*	062039*
21	Head Capscrews	36	920532	920532	71A	Disc Machine Screw	8	920007*	920015*
24	Bearing	2	903172*	903172*	71B	Disc Lockwasher	8	909622*	909622*
24A	Locknut	2	903523	903523	72	"O" Ring, Head	2	701944*	702039*
24B	Lockwasher	2	903524*	903524*	73	Gage Plug	2	908195	908195
26	Bearing Cover Gasket	2	385125*	385125*	74	Liner Key	1	—	182040
27	Bearing Cover	2	041815	041815	76	Grease Fitting	2	317815	317815
28	Bearing Cover Capscrew	12	920286	920286	76A	Grease Relief Fitting	2	701992	701992
35	Shaft Key	1	909183	909183*	77	Push Rod	3	122001*	122001*
41	Liner	1	—	182039	88	"O" Ring, Valve Cap	1	701926*	701926*
					104	Grease Seal	2	331908*	331908*
					186	Shaft Protector	1	341801	342001
						Pump Repair Kit		892021	89200

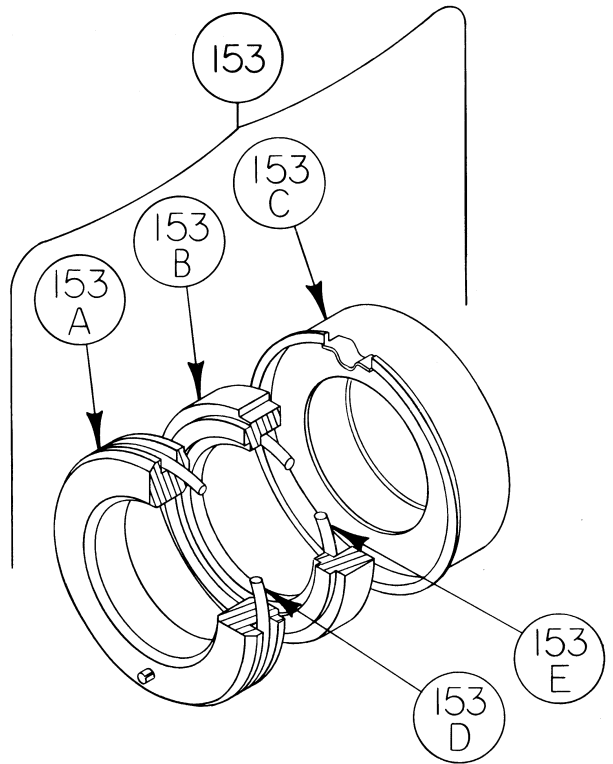
\*Pump Repair Kit Components

**MECHANICAL SEAL**

REF. NO.	PART NAME	NO. PARTS PER PUMP	PART NO. TLGFD4	PART NO. TLGLF4
153	Mechanical Seal Complete	2	332050*	332050*
153A	Stationary Seat	2	332005	332005
153B	Seal Face	2	331867	331867
153C	Seal Jacket Assembly	2	331886	331886
153D	"O" Ring, Stationary - Buna N	2	701934	701934
153E	"O" Ring, Rotating - Buna N	2	711912	711912

**MECHANICAL SEAL — MAPP Gas**

REF. NO.	PART NAME	NO. PARTS PER PUMP	PART NO. TLGFD4	PART NO. TLGLF4
153	Mechanical Seal Complete - Viton	2	332054	332054
153A	Stationary Seat	2	332005	332005
153B	Seal Face	2	331867	331867
153C	Seal Jacket Assembly	2	331886	331886
153D	"O" Ring, Stationary - Viton	2	701921	701921
153E	"O" Ring, Rotating - Viton	2	701962	701962



**blackmer** / A **DOVER** COMPANY